

Ordering Information

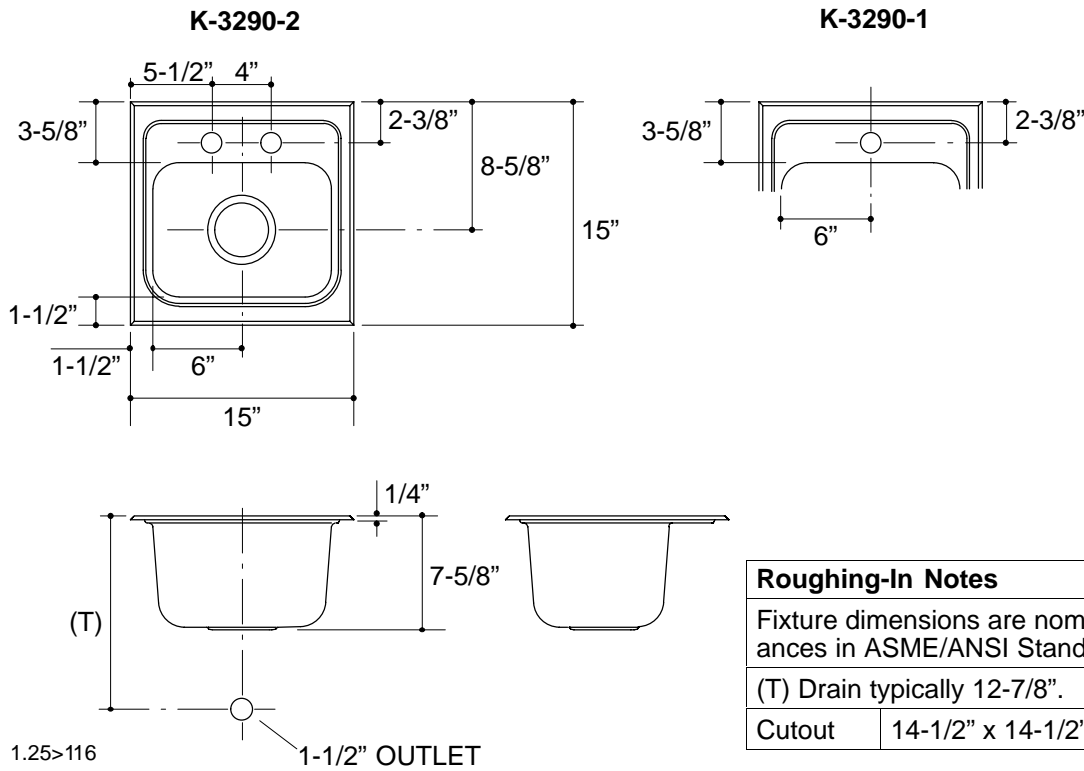
Applicable product:		
Two-hole sink	K-3290-2 K-3290-2H*	shown
One-hole sink	K-3290-1 K-3290-1H*	not shown
*The variation H denotes additional highlighted finishing on faucet deck.		

Product Information

Fixture*:		basin area	water depth
Sink		12" x 10"	7"
Outlet	3-5/8" D.		
Faucet holes	1-7/16" D.		
* Approximate measurements for comparison only.			

Installation Notes

Refer to installation instructions included with fixture before beginning installation.



Roughing-In Notes	
Fixture dimensions are nominal and conform to tolerances in ASME/ANSI Standard A112.19.3M.	
(T) Drain typically 12-7/8".	
Cutout	14-1/2" x 14-1/2" with 1/2" radius corners.