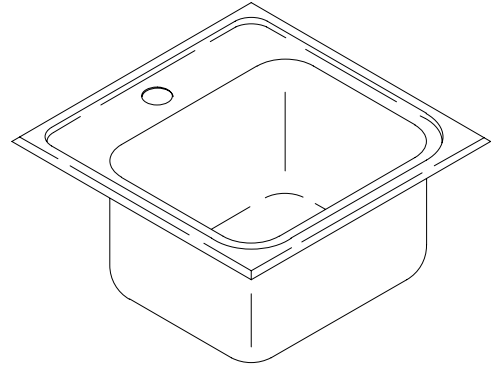


SELF-RIMMING ENTERTAINMENT SINK

K-3290

FEATURES

- 15" x 15"
- 20 gauge stainless steel
- Self-rimming
- Single compartment
- Single-hole (K-3290-1) or 2-hole (K-3290-2) faucet punching
- Includes installation hardware
- Highlighted bowl bead
- Additional highlighting on faucet deck (-H)



CODES/STANDARDS APPLICABLE

Specified model meets or exceeds the following:

- IAPMO/UPC
- Canadian Standards Association (CSA)

COLORS/FINISHES

- NA None Applicable

Accessories:

- CP Polished Chrome
- Other Refer to Price Book for additional finishes

SPECIFIED MODEL:

Model	Description	Colors/Finishes
K-3290-1	Single-hole sink	<input type="checkbox"/> NA
K-3290-2	2-hole sink	<input type="checkbox"/> NA
K-3290-1H	Single-hole sink with additional highlighting on faucet deck	<input type="checkbox"/> NA
K-3290-2H	2-hole sink with additional highlighting on faucet deck	<input type="checkbox"/> NA

Optional Accessories			
K-8801	Duostrainer sink strainer	<input type="checkbox"/> CP	<input type="checkbox"/> Other _____

PRODUCT SPECIFICATION:

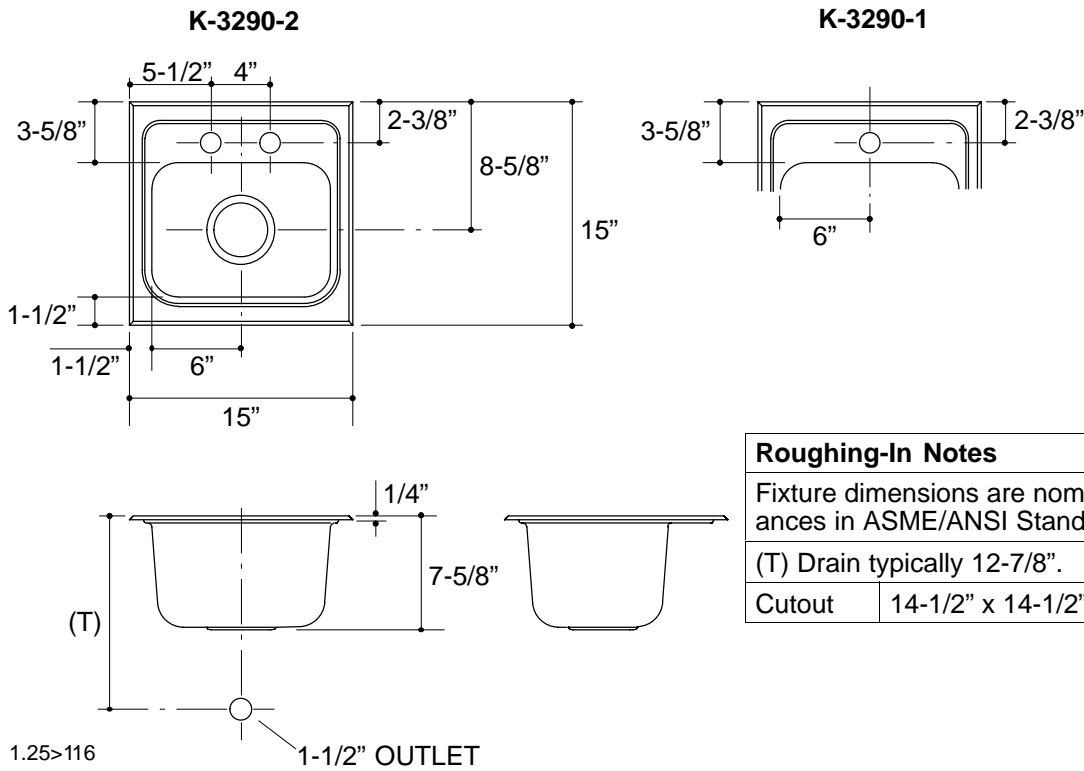
The self-rimming sink shall be 15" in length, and 15" in width. Sink shall be made of 20 gauge stainless steel. Sink shall be single compartment. Sink shall be single-hole (K-3290-1) or 2-hole (K-3290-2) faucet punched. Sink shall include installation hardware. Sink shall have highlighted bowl bead. Sink shall have additional highlighting on faucet deck (-H). Sink shall be Kohler Model K-3290-_____ - _____.

LYRIC

PRODUCT INFORMATION

Fixture*:		basin area	water depth
Sink		12" x 10"	7"
Outlet	3-5/8" D.		
Faucet holes	1-7/16" D.		

* Approximate measurements for comparison only.



Roughing-In Notes

Fixture dimensions are nominal and conform to tolerances in ASME/ANSI Standard A112.19.3M.

(T) Drain typically 12-7/8".

Cutout	14-1/2" x 14-1/2" with 1/2" radius corners.
--------	---

PRODUCT DIAGRAM