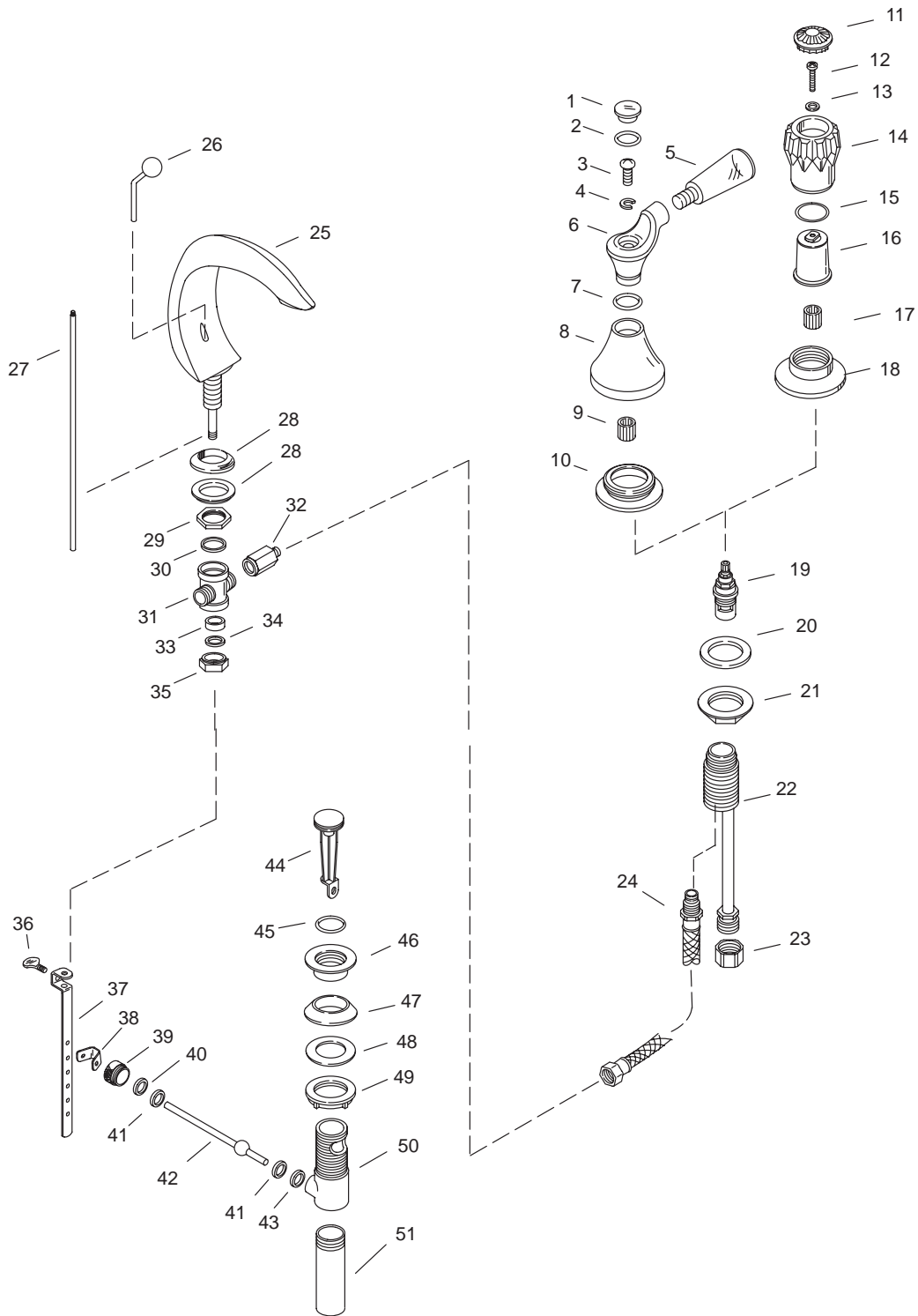


KOHLER[®] SERVICE PARTS

FLAIR™ LAVATORY FAUCETS K-7438-7A-**-BA, K-7438-7A-**-CA, K-7438-8A-**-BA, K-7438-8A-**-CA



Variation and/or finish/color code may be required when ordering.

SERVICE PARTS

ITEM	PART NO.	DESCRIPTION
1	50351	Plug Button
2	33993	O-Ring
3	64453	Screw, .164-32 UNC x .625
4	37793	Washer, Lock #8
5	50349	Insert, Handle Plastic
6	50347	Lever
7	42045	O-Ring
8	58548	Bonnet
9	59027	Spline Adapter
10	59425	Nut, Escutcheon
11	43152	Plug Button, Hot, Large
	43153	Plug Button, Cold, Large
12	20652	Screw, 8-32 NC-2A x 1.250
13	41298	Washer
14	43146	Handle
15	43167	O-Ring
16	41240	Insert Subassembly
17	58586	Spline Adapter
18	58575	Escutcheon
19	30430	Valve-1/2" Ceramic (Clockwise Close)
	30431	Valve-1/2" Ceramic (Counterclockwise Close)
20	40001	Washer, 1-9/32 ID x 1-3/4 OD
21	40005	Nut, 1.25-20 UNS-2B
22	74369	End Valve Assembly
23	32751	Nut, .5-14 NPSM
24	73151	Hose, Fingertight (Includes O-Ring)
25	54969	Spout Subassembly, Lav.
26	56680	Rod Assembly, Lift
27	56676	Rod, Lift
28	33504	Washer, 29/32 Beveled
29	33505	Nut, .875-16 UNS-2B
30	33031	Washer, 21/32 x 7/8
31	40031	Cross Connection Body
32	82916	2.0 GPM Flow Control
33	34294	Packing
34	34295	Washer, .420 x .575
35	34309	Nut, .125-27 NPSM
36	57422	Thumb Screw
37	73382	Link
38	40228	Spring Clip
39	57403	Retainer Nut
40	38745	Washer, .531 ID x .734 OD
41	38744	Washer, .484 ID x .748 OD
42	41312	Lever Subassembly
43	34917	Washer
44		Available in Service Kit Only
45	38676	O-Ring
46	57408	Flange, Lav. Drain
47	57966	Gasket, Lav. Drain
48	40238	Washer
49	40076	Locknut
50	74410	Drain Body
51	41640	Tailpiece, 4-1/4" Long

SERVICE KITS

PART NO.	ITEM	QTY.	DESCRIPTION
74292-4			Handle Kit, Flair (Lever)
	1	2 ea.	Plug Button
	2	2 ea.	O-Ring
	3	2 ea.	Screw, .164-32 UNC x .625
	4	2 ea.	Washer, Lock #8
	5	2 ea.	Insert, Handle Plastic (Acrylic)
	6	2 ea.	Lever
	7	2 ea.	O-Ring
	8	2 ea.	Bonnet
	9	2 ea.	Spline Adapter
	10	2 ea.	Nut, Escutcheon
74271-4			Handle & Valve Assembly (Lever)
	1	2 ea.	Plug Button
	2	2 ea.	O-Ring
	3	2 ea.	Screw, .164-32 UNC x .625
	4	2 ea.	Washer, Lock #8
	5	2 ea.	Insert, Handle Plastic (Acrylic)
	6	2 ea.	Lever
	7	2 ea.	O-Ring
	8	2 ea.	Bonnet
	9	2 ea.	Spline Adapter
	10	2 ea.	Nut, Escutcheon
	19	1 ea.	Valve-1/2" Ceramic (Clockwise Close)
	20	2 ea.	Washer, 1-9/32 ID x 1-3/4 OD
	21	2 ea.	Nut, 1.25-20 UNS-2B
	22	2 ea.	End Valve Assembly
	23	2 ea.	Nut, .5-14 NPSM
	24	2 ea.	Hose, Fingertight (Includes O-Ring)
74291			Hardware Kit
	3	2 ea.	Screw, .164-32 UNC x .625
	4	2 ea.	Washer, Lock #8
	7	2 ea.	O-Ring
	9	2 ea.	Spline Adapter
	10	2 ea.	Nut, Escutcheon
74292-7			Handle Kit, Flair (Acrylic)
	11	1 ea.	Plug Button, Hot, Large
		1 ea.	Plug Button, Cold, Large
	12	2 ea.	Screw, 8-32 NC-2A x 1.250
	13	2 ea.	Washer
	14	2 ea.	Handle
	15	2 ea.	O-Ring
	16	2 ea.	Insert Subassembly
	17	2 ea.	Spline Adapter
	18	2 ea.	Escutcheon
74271-7			Handle & Valve Assembly (Acrylic)
	11	1 ea.	Plug Button, Hot, Large
		1 ea.	Plug Button, Cold, Large
	12	2 ea.	Screw, 8-32 NC-2A x 1.250
	13	2 ea.	Washer
	14	2 ea.	Handle
	15	2 ea.	O-Ring
	16	2 ea.	Insert Subassembly
	17	2 ea.	Spline Adapter
	18	2 ea.	Escutcheon
	19	1 ea.	Valve-1/2" Ceramic (Clockwise Close)
		1 ea.	Valve-1/2" Ceramic (Counterclockwise Close)
	20	2 ea.	Washer, 1-9/32 ID x 1-3/4 OD
	21	2 ea.	Nut, 1.25-20 UNS-2B
	22	2 ea.	End Valve Assembly
	23	2 ea.	Nut, .5-14 NPSM
	24	2 ea.	Hose, Fingertight (Includes O-Ring)

Variation and/or finish/color code may be required when ordering.

KOHLER[®] SERVICE PARTS

FLAIR™ LAVATORY FAUCETS K-7438-7A-**-BA, K-7438-7A-**-CA, K-7438-8A-**-BA, K-7438-8A-**-CA

SERVICE KITS

PART NO.	ITEM	QTY.	DESCRIPTION	
73831	19	1 ea.	Valve Kit, Endbody	
		1 ea.	Valve-1/2" Ceramic (Clockwise Close)	
		1 ea.	Valve-1/2" Ceramic (Counterclockwise Close)	
	20	2 ea.	Washer, 1-9/32 ID x 1-3/4 OD	
	21	2 ea.	Nut, 1.25-20 UNS-2B	
	22	2 ea.	End Valve Assembly	
	23	2 ea.	Nut, .5-14 NPSM	
74341	24	2 ea.	Hose, Fingertight (Includes O-Ring)	
			Spout Kit	
	25	1 ea.	Spout Subassembly, Lav.	
	26	1 ea.	Rod Assembly, Lift	
	27	1 ea.	Rod, Lift	
	28	1 ea.	Washer, 29/32 Beveled	
	29	1 ea.	Nut, .875-16 UNS-2B	
	30	1 ea.	Washer, 21/32 x 7/8	
	31	1 ea.	Cross Connection Body	
	32	1 ea.	2.0 GPM Flow Control	
	33	1 ea.	Packing	
	34	1 ea.	Washer, .420 ID x .575 OD	
	35	1 ea.	Nut, .125-27 NPSM	
	58156			Drain Hardware Assembly
		36	1 ea.	Thumb Screw
37		1 ea.	Link	
38		1 ea.	Spring Clip	
39		1 ea.	Retainer Nut	
40		1 ea.	Washer, .531 ID x .734 OD	
41		2 ea.	Washer, .484 ID x .748 OD	
42		1 ea.	Lever Subassembly	
43		1 ea.	Washer	

SERVICE KITS

PART NO.	ITEM	QTY.	DESCRIPTION
73967			Drain Assembly
	36	1 ea.	Thumb Screw
	37	1 ea.	Link
	38	1 ea.	Spring Clip
	39	1 ea.	Retainer Nut
	40	1 ea.	Washer, .531 ID x .734 OD
	41	2 ea.	Washer, .484 ID x .748 OD
	43	1 ea.	Washer
	42	1 ea.	Lever Subassembly
	44	1 ea.	Stopper Assembly, Plastic
	45	1 ea.	O-Ring
	46	1 ea.	Flange, Lav. Drain
	47	1 ea.	Gasket, Lav. Drain
	48	1 ea.	Washer
	49	1 ea.	Locknut
74413	50	1 ea.	Drain Body
	51	1 ea.	Tailpiece, 4-1/4" Long
			Drain Assembly, Plastic
	44	1 ea.	Stopper Assembly, Plastic
	45	1 ea.	O-Ring
	46	1 ea.	Flange, Lav. Drain
	47	1 ea.	Gasket, Lav. Drain
	48	1 ea.	Washer
	49	1 ea.	Locknut
	50	1 ea.	Drain Body

Variation and/or finish/color code may be required when ordering.

Variation and/or finish/color code may be required when ordering.