

**KITCHEN SINK FAUCET  
K-6271-4**

**ADA**

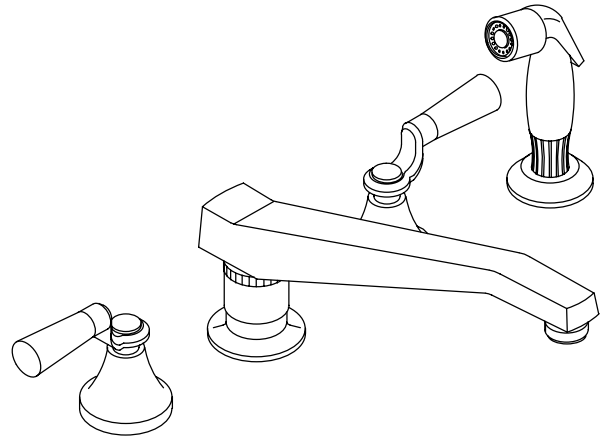
**FEATURES**

- Brass construction
- For 8" centers
- Brass valve bodies
- Quarter-turn washerless ceramic disc valves
- 9-1/2" swing spout
- 2.2 gallons per minute
- Lever handles with clear acrylic inserts
- White handspray

**CODES/STANDARDS APPLICABLE**

Specified model meets or exceeds the following:

- ASME/ANSI A112.18.1M
- CSA B125
- Energy Policy Act of 1992
- IAPMO/UPC
- NSF 61

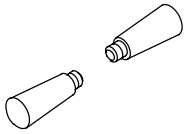


**COLORS/FINISHES**

- CP Polished Chrome
- PB Polished Brass

**SPECIFIED MODEL:**

Model	Description		
K-6271-4	Flair Kitchen Sink Faucet	<input type="checkbox"/> CP	<input type="checkbox"/> PB

Optional Accessory				
K-7266	Lever Handle Inserts, Pair	<input type="checkbox"/> CP	<input type="checkbox"/> PB	<input type="checkbox"/> Other_____

**PRODUCT SPECIFICATION:**

Two-handle kitchen sink faucet shall be of brass construction. Faucet shall feature brass valve bodies. Faucet shall feature quarter-turn washerless ceramic disc valves, assuring positive handle stop positioning. Product shall include 8" centers, 9-1/2" swing spout, lever handles with clear acrylic inserts, and white handspray. Faucet shall be Kohler Model K-6271-4-\_\_\_\_\_.

