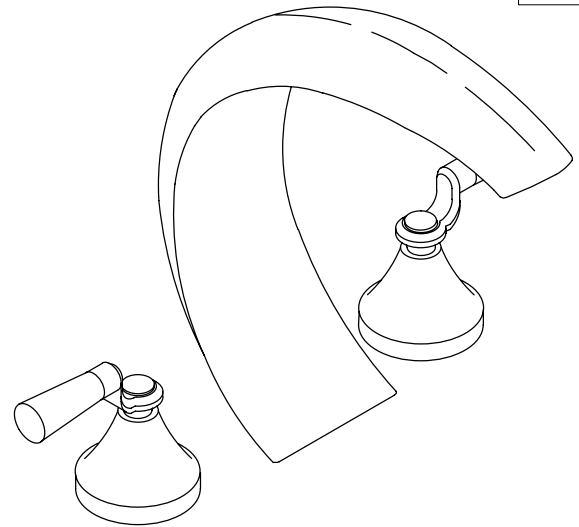


**FEATURES**

- Brass construction
- Deck-mount
- Brass valve bodies
- 1/2" quarter-turn washerless ceramic disc valves
- 7-1/2" Crescent non-diverter spout with N.P.T. connection
- Lever handles with clear acrylic inserts

**ADA**



**CODES/STANDARDS APPLICABLE**

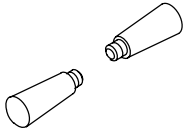
Specified model meets or exceeds the following:

- ASME/ANSI A112.18.1M
- CSA B125

**COLORS/FINISHES**

- CP Polished Chrome
- PB Polished Brass

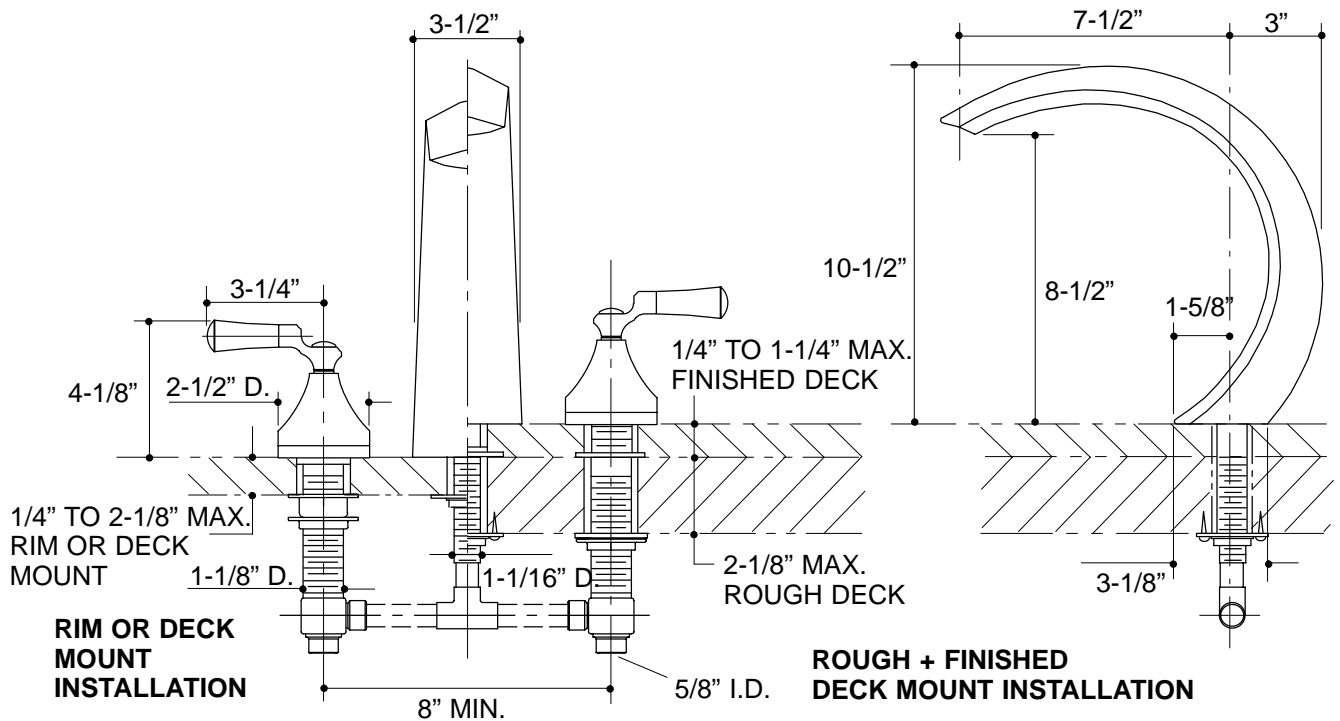
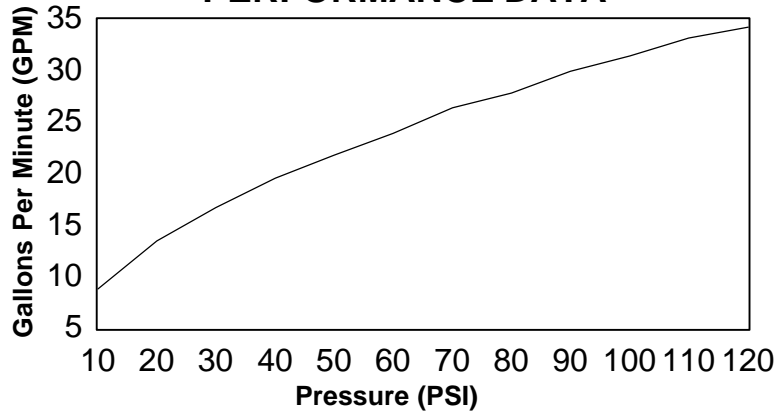
**SPECIFIED MODEL:**

Model	Description		
K-6224-4	Flair Deck-Mount Bath Faucet	<input type="checkbox"/> CP	<input type="checkbox"/> PB
<b>Optional Accessory</b>			
K-7266	Lever Handle Inserts, Pair	<input type="checkbox"/> CP	<input type="checkbox"/> PB <input type="checkbox"/> Other_____

**PRODUCT SPECIFICATION:**

Two-handle deck-mount bath faucet shall be of brass construction. Faucet shall feature brass valve bodies. Faucet shall feature 1/2" quarter-turn washerless ceramic disc valves, assuring positive handle stop positioning. Product shall include 7-1/2" Crescent non-diverter spout with N.P.T. connection, and lever handles with clear acrylic inserts. Faucet shall be Kohler Model K-6224-4-\_\_\_\_\_.

**PERFORMANCE DATA**



**PRODUCT DIAGRAM**