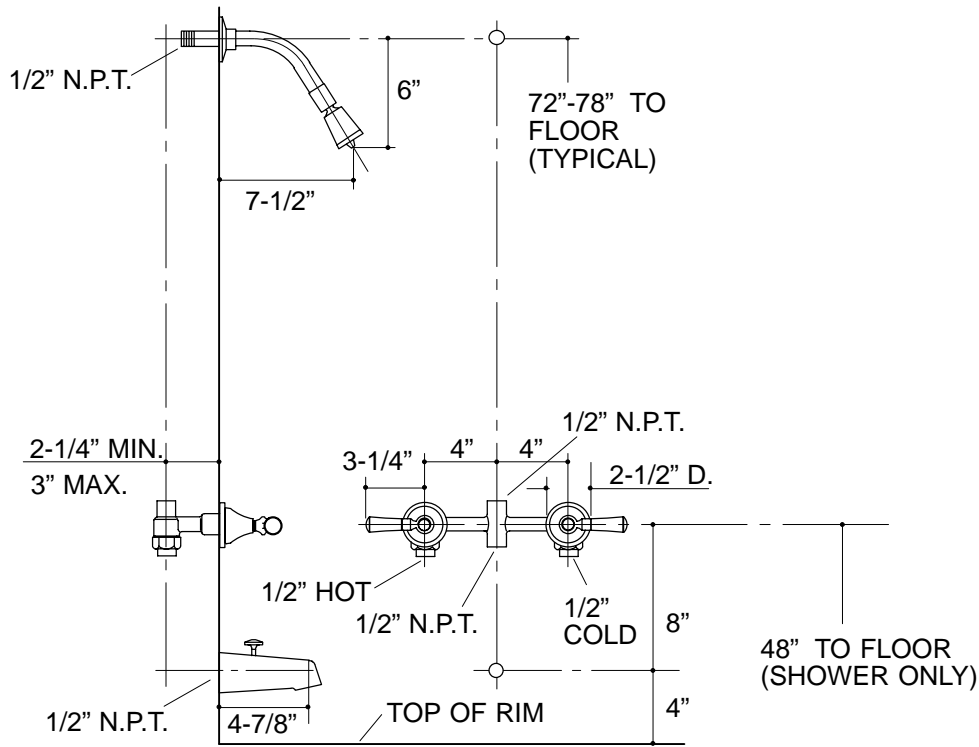


Ordering Information

Applicable faucet:	
Bath and shower	K-6253-4
Shower only	K-6256-4
Valve only	K-6257-4
ADA Lever handles are ADA compliant	



332

K-6253-4, K-6256-4, K-6257-4 Flair™ Bath and Shower Faucet
110799-1-BA (-)

NOTES: