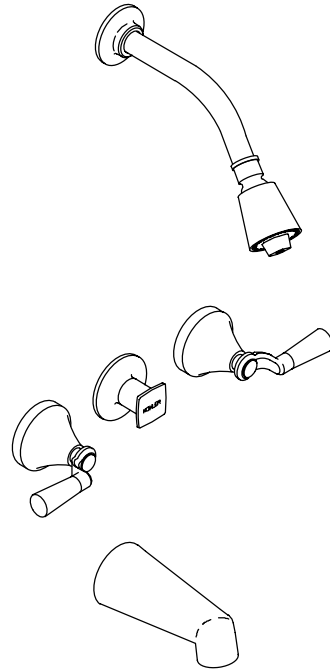


**BATH AND SHOWER FAUCET
K-6254-4
ALSO K-6258-4**

FEATURES

- Brass construction
- Brass valve bodies
- 1/2" quarter-turn washerless ceramic disc valves
- Integral diverter mechanism
- Lever handles with clear acrylic inserts

ADA



CODES/STANDARDS APPLICABLE

Specified model meets or exceeds the following:

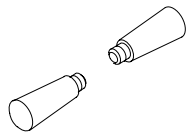
- ASME/ANSI A112.18.1M
- CSA B125
- IAPMO/UPC

COLORS/FINISHES

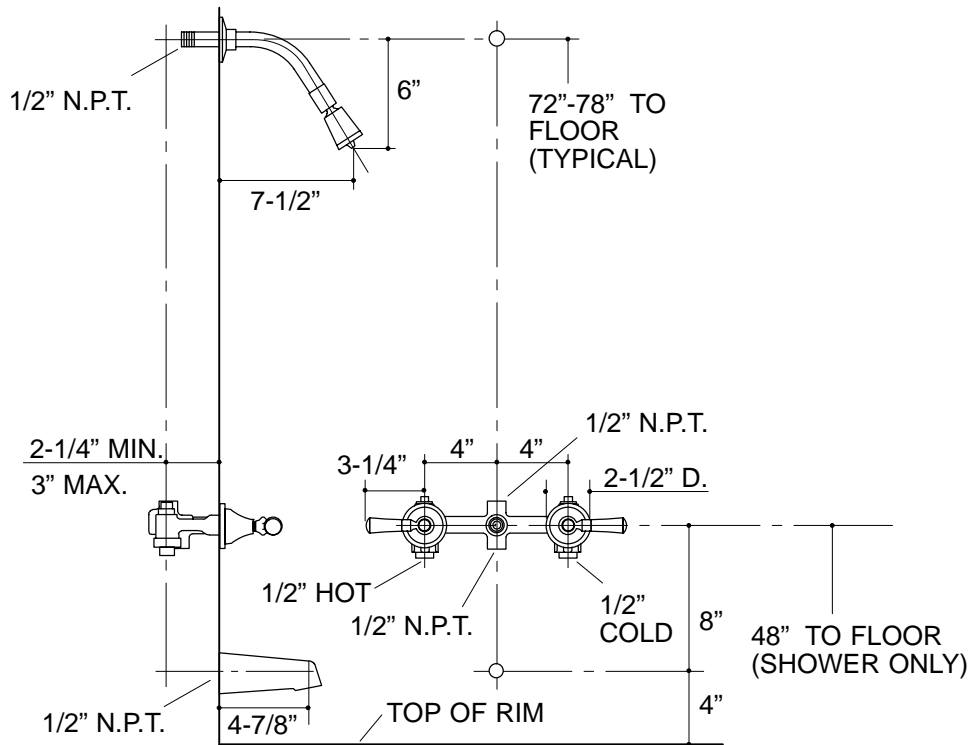
- CP Polished Chrome
- PB Polished Brass

SPECIFIED MODEL:

Model	Description		
K-6254-4	Bath and Shower Faucet	<input type="checkbox"/> CP	<input type="checkbox"/> PB
K-6258-4	Valve Only Faucet	<input type="checkbox"/> CP	<input type="checkbox"/> PB

Optional Accessory				
K-7266	Lever Handle Inserts, Pair	<input type="checkbox"/> CP	<input type="checkbox"/> PB	<input type="checkbox"/> Other_____

PRODUCT SPECIFICATION:
 Three-handle bath and shower faucet shall be of brass construction. Faucet shall feature brass valve bodies. Faucet shall feature 1/2" quarter-turn washerless ceramic disc valves, assuring positive handle stop positioning. Bath and shower faucet shall include showerhead with arm and flange, 4-7/8" non-diverter spout with N.P.T. connection, lever handles with clear acrylic inserts, and integral diverter mechanism. Valve only shall include lever handles with clear acrylic inserts, and integral diverter mechanism. Faucet shall be Kohler Model K-_____-4-____.



332

PRODUCT DIAGRAM