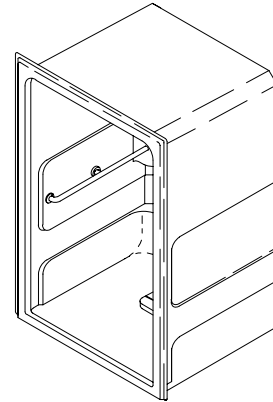


BARRIER-FREE SHOWER MODULE

K-12487, K-12488

FEATURES

- 56" x 48-7/8" x 83-1/4"
- Acrylic
- Nylon grab bars
- Fold-up seat left or right
- Integral soap ledge



CODES/STANDARDS APPLICABLE

Specified model meets or exceeds the following:

- ANSI Z124.2
- IAPMO/UPC
- State of Massachusetts

COLORS/FINISHES

- 0 White
- Other Refer to Fixtures Price Book for additional colors

Accessories:

- CP Polished Chrome
- PB Polished Brass
- SV Nevada Silver™
- BR New England Brass™
- SH Bright Silver
- BH Bright Brass
- Other Refer to Faucets Price Book for additional finishes
- NA None Applicable

SPECIFIED MODEL:

Model	Description	Colors/Finishes	
K-12487	Shower module with fold-up seat on left	<input type="checkbox"/> 0 White	<input type="checkbox"/> Other_____
K-12488	Shower module with fold-up seat on right	<input type="checkbox"/> 0 White	<input type="checkbox"/> Other_____

Recommended Accessories				
K-9132	Drain	<input type="checkbox"/> CP	<input type="checkbox"/> PB	<input type="checkbox"/> Other_____

Optional Accessories				
K-1570	Dome light			<input type="checkbox"/> NA
K-9871	Glassworks™ bypass shower door* OR	<input type="checkbox"/> SV	<input type="checkbox"/> BR	
K-703030	Forum™ bypass shower door*	<input type="checkbox"/> SH	<input type="checkbox"/> BH	<input type="checkbox"/> 0 White

* Refer to Fixtures Price Book for glass options.

PRODUCT SPECIFICATION:

The barrier-free shower module shall be 56" in length, 48-7/8" in width, and 83-1/4" in height. Shower module shall be made of acrylic. Shower module shall have nylon grab bars. Shower module shall have fold-up seat at left or right. Shower module shall have an integral soap ledge. Shower module shall be Kohler Model K-_____-_____.

FREEWILL™

PRODUCT INFORMATION

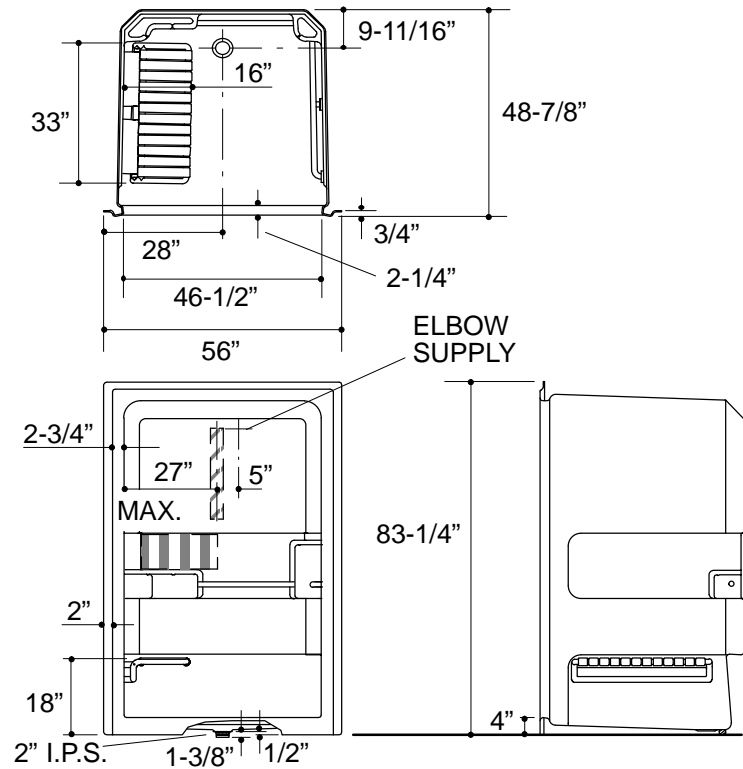
Fixture:	
Weight	290 lbs.
Configuration	1-piece
Drain Outlet	3-1/4" D.

INSTALLATION NOTES

Fixture not drilled for supply fittings.

Shimming may be required to level fixture.

For optimum accessibility, specify faucets and fittings to install and operate within the control area shown.



Roughing-In Notes

Stud opening tolerance (+ 1/4" – 0"). When fire rated wall is specified, dimensions are to the inside of the wall board. Some shimming between stud frame and fixture may be required.

*Recess opening must be 56" x 83-1/4"

Provide clear floor space per ANSI A117.1, and as shown.

	Represents control area for faucets.
	Represents 24" wall mount slide bar.
	Represents clear floor space for 36" x 60" side entrance.
	Represents clear floor space for 48" x 60" front entrance.

.80<132

PRODUCT DIAGRAM