

Ordering Information

Applicable product:		
Five-hole sink	K-5877-5	shown
Four-hole sink	K-5877-4	not shown
Accessories/hardware:		
Bottom basin rack	K-6011	optional
Hardwood cutting board	K-6507	optional
Wire rinse basket	K-6511	optional

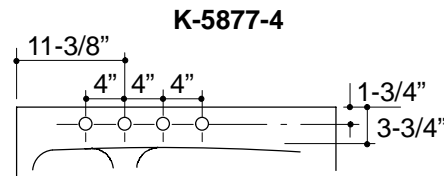
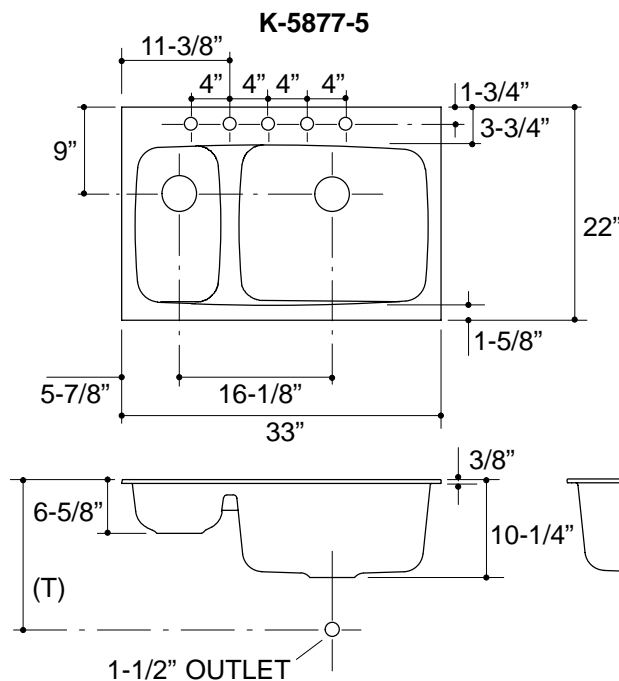
Product Information

Fixture*:		basin area	water depth
Sink		19" x 17"	8-3/8"
Disposal		9" x 16"	4-3/4"
Outlet	3-7/8" D.		
Faucet and spout holes	1-3/8" D.		

* Approximate measurements for comparison only.

Installation Notes

Refer to installation instructions included with fixture before beginning installation.



Roughing-In Notes

Fixture dimensions are nominal and conform to tolerances in ASME/ANSI Standard A112.19.1M.

(T) Drain typically 15-1/2".

For disposal unit, consult supplier for roughing-in measurements.

Cutout	31-3/4" x 20-3/4" with 1" radius corners.
--------	---

.8<116

K-5877 Lakefield™ Sink
110850-1-CA (-)

KOHLER®