

## Ordering Information

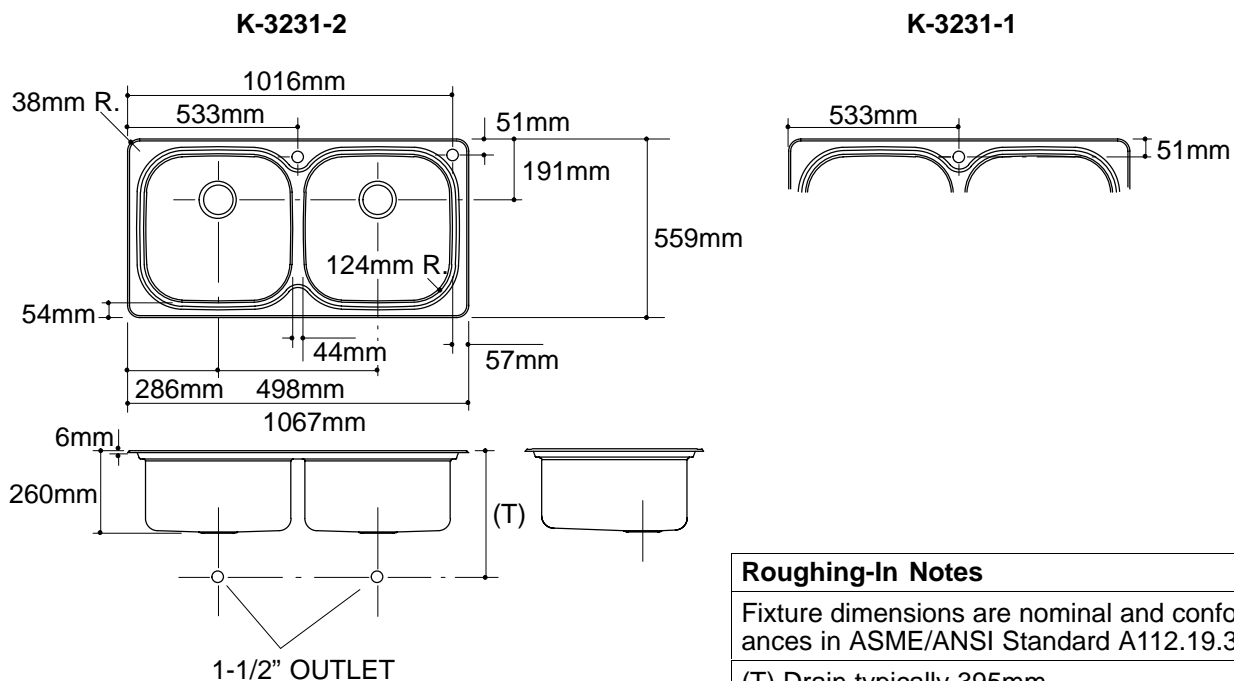
Applicable product:		
Two-hole sink	K-3231-2	shown
One-hole sink	K-3231-1	not shown
Accessories/hardware:		
Bottom basin rack	K-3191	optional
Wire rinse basket/dish rack	K-3279	optional

## Product Information

Fixture*:		basin area	water depth
Sink		457 x 457mm	235mm
Outlet	Ø92mm		
Faucet holes	Ø37mm		
* Approximate measurements for comparison only.			

## Installation Notes

Refer to installation instructions included with fixture before beginning installation.



### Roughing-In Notes

Fixture dimensions are nominal and conform to tolerances in ASME/ANSI Standard A112.19.3M.

(T) Drain typically 395mm.

Cutout	1054 x 546mm with 38mm radius corners.
--------	--

.8<116

**K-3231** Ravinia™ Sink  
110852-1M-BA (-)

# KOHLER®