

Ordering Information

Applicable product:		
Three-hole sink	K-3228-3	shown
Two-hole sink	K-3228-2	not shown
One-hole sink	K-3228-1	not shown
Accessories/hardware:		
Bottom basin rack	K-3191	optional
Hardwood cutting board/ colander package	K-3292	optional
Wire rinse basket/dish rack	K-3279	optional

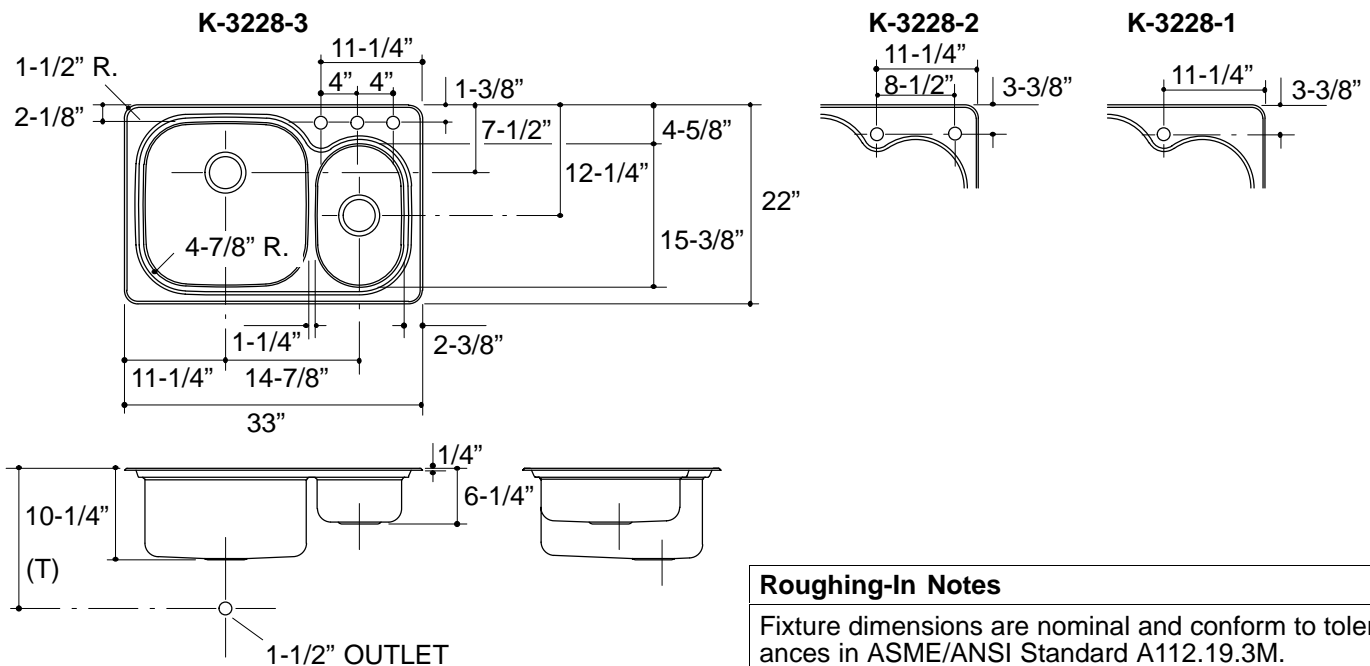
Product Information

Fixture*:		basin area	water depth
Sink		18" x 17"	9-1/4"
Disposal		9" x 15"	5-1/4"
Outlet	3-5/8" D.		
Faucet holes	1-7/16" D.		

* Approximate measurements for comparison only.

Installation Notes

Refer to installation instructions included with fixture before beginning installation.



Roughing-In Notes

Fixture dimensions are nominal and conform to tolerances in ASME/ANSI Standard A112.19.3M.

(T) Drain typically 15-9/16".

Cutout 32-1/2" x 21-1/2" with 1-1/2" radius corners.

.75<116

K-3228 Ravinia™ Sink
110854-1-BA (-)

KOHLER®