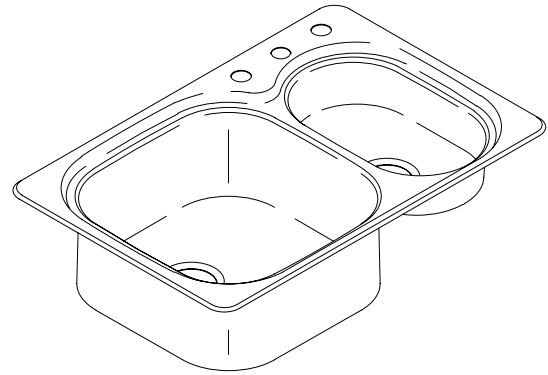


### SELF-RIMMING KITCHEN SINK

# K-3228

#### FEATURES

- 33" x 22"
- 18 gauge stainless steel
- Self-rimming
- Double (high/low) compartment
- Includes installation hardware
- 2-hole (K-3228-2), 3-hole (K-3228-3), or single-hole (K-3228-1) faucet punching



#### CODES/STANDARDS APPLICABLE

Specified model meets or exceeds the following:

- IAPMO/UPC
- State of Massachusetts

#### COLORS/FINISHES

- NA None Applicable

#### Accessories:

- CP Polished Chrome
- 0 White
- Other Refer to Price Book for additional colors

#### SPECIFIED MODEL:

Model	Description	Colors/Finishes
K-3228-2	2-hole sink	<input type="checkbox"/> NA
K-3228-3	3-hole sink	<input type="checkbox"/> NA
K-3228-1	Single-hole sink	<input type="checkbox"/> NA

Optional Accessories			
K-3191	Bottom basin rack (for left basin only)	<input type="checkbox"/> 0 White	<input type="checkbox"/> Other_____
K-3279	Wire rinse basket (for left basin only)	<input type="checkbox"/> 0 White	<input type="checkbox"/> Other_____
K-3292	Hardwood cutting board and colander set (for small disposal basin)	<input type="checkbox"/> 0 White	<input type="checkbox"/> Other_____
K-8801	Duostrainer sink strainer	<input type="checkbox"/> CP	<input type="checkbox"/> Other_____

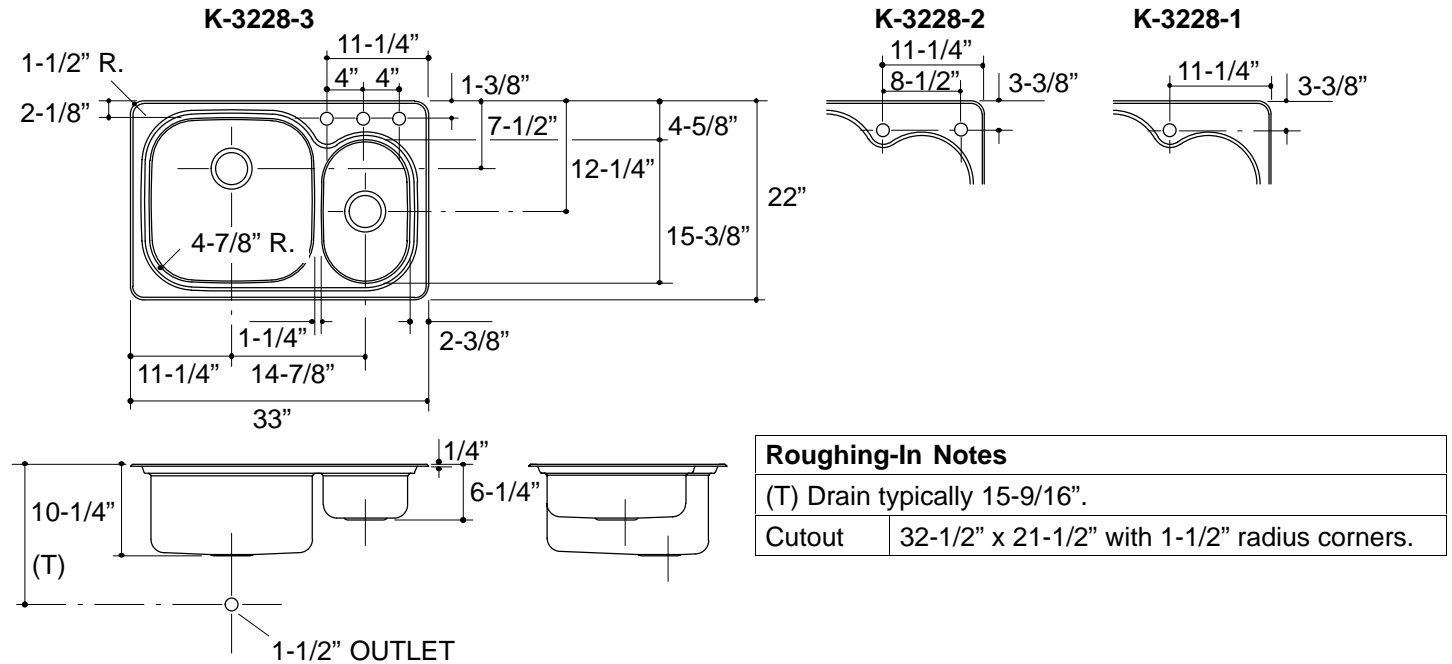
#### PRODUCT SPECIFICATION:

The self-rimming sink shall be 33" in length, and 22" in width. Sink shall be made of 18 gauge stainless steel. Sink shall be double (high/low) compartment. Sink shall be 2-hole (K-3228-2), 3-hole (K-3228-3), or single-hole (K-3228-1) faucet punched. Sink shall include installation hardware. Sink shall be Kohler Model K-3228-\_\_\_\_\_-\_\_\_\_\_.

## PRODUCT INFORMATION

Fixture*:		basin area	water depth
Sink		18" x 17"	9-1/4"
Disposal		9" x 15"	5-1/4"
Outlet	3-5/8" D.		
Faucet holes	1-7/16" D.		

\* Approximate measurements for comparison only.



.75<116

## PRODUCT DIAGRAM