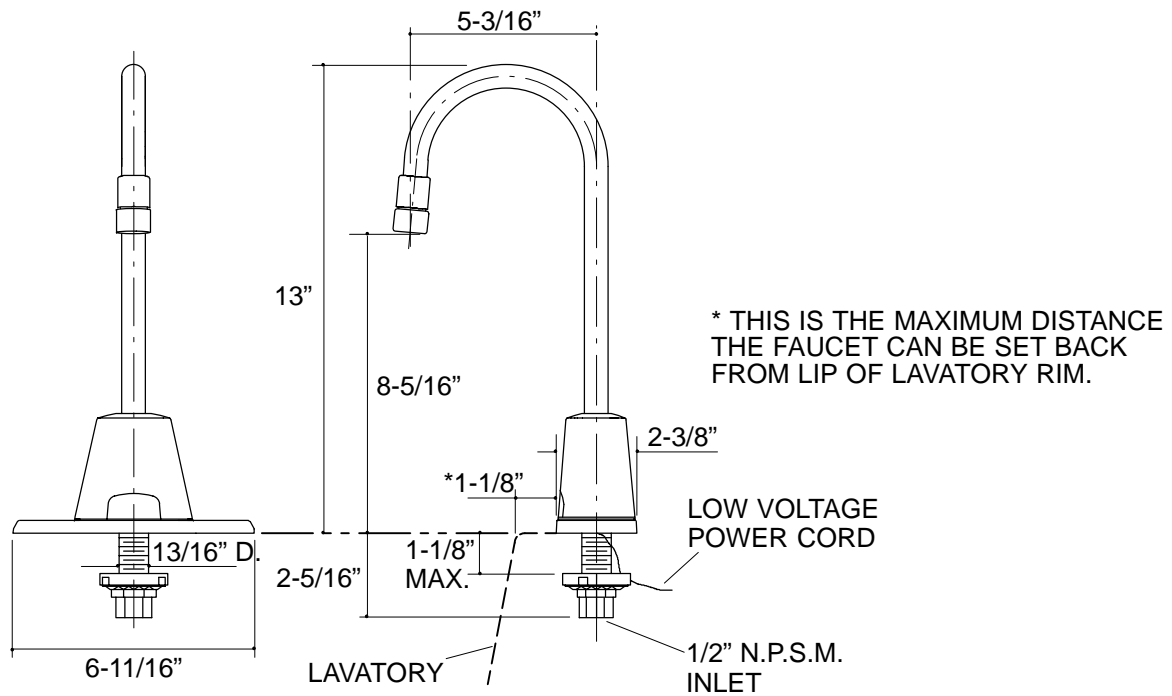


**Ordering Information**

Applicable electronic faucet:	
Less escutcheon	K-13664
With escutcheon	K-13666
<b>ADA</b> Touchless products are ADA compliant	



316

**K-13664, K-13666** Touchless™ Faucet  
110864-1-AA (9619)

**NOTES:**