

Ordering Information

Applicable product:		
Four-hole sink	K-3224-4	shown
Three-hole sink	K-3224-3	not shown
Two-hole sink	K-3224-2	not shown
Accessories/hardware:		
Hardwood cutting board	K-3278	optional
Wire rinse basket/dishrack	K-3280	optional
Colander	K-3291	optional

Product Information

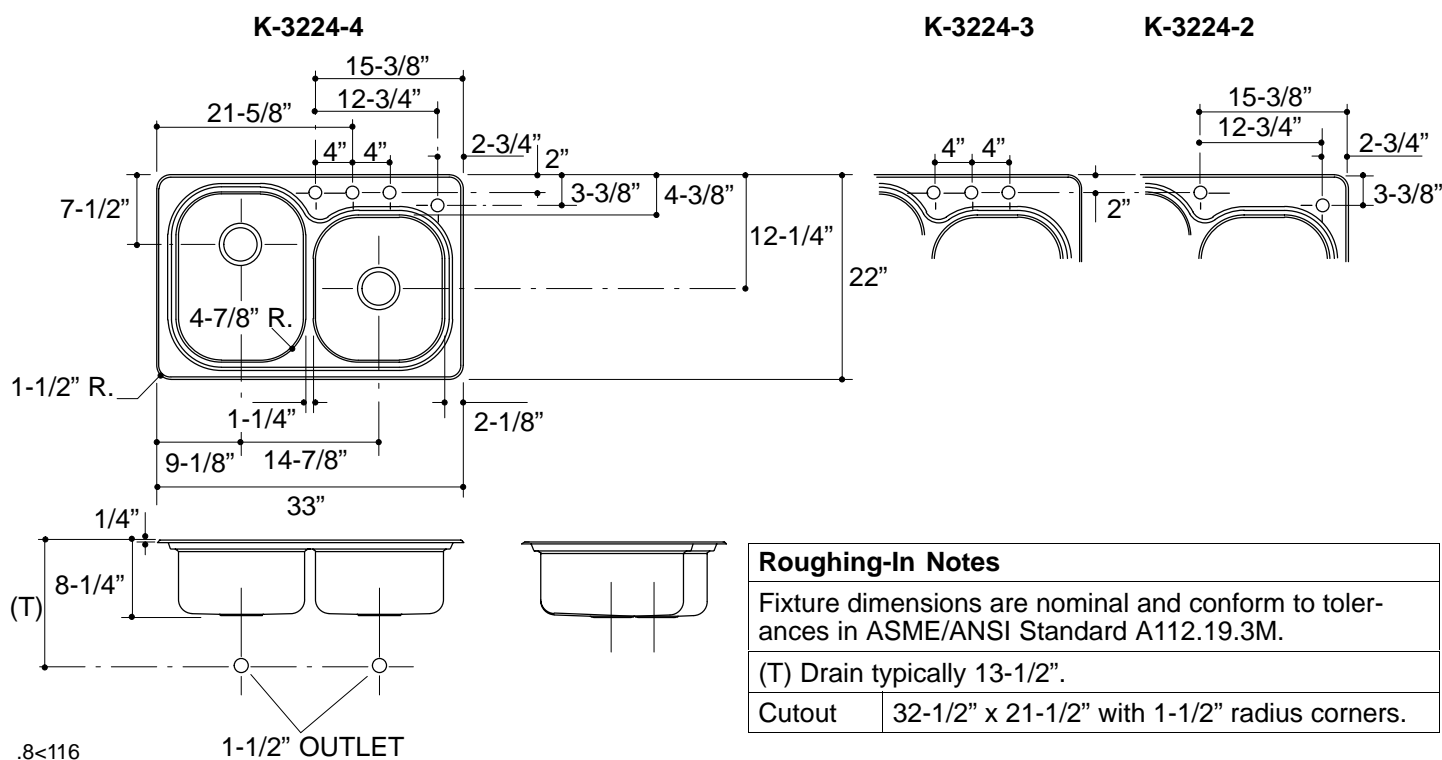
Fixture*:		basin area	water depth
Sink, left		14" x 18"	7-1/4"
Sink, right		14" x 15"	7-1/4"
Outlet	3-5/8" D.		
Faucet holes	1-7/16" D.		

* Approximate measurements for comparison only.

Included Components:	
Fastener pack	90208

Installation Notes

Refer to installation instructions included with fixture before beginning installation.



Roughing-In Notes

Fixture dimensions are nominal and conform to tolerances in ASME/ANSI Standard A112.19.3M.

(T) Drain typically 13-1/2".

Cutout 32-1/2" x 21-1/2" with 1-1/2" radius corners.

.8<116

1-1/2" OUTLET