

Ordering Information

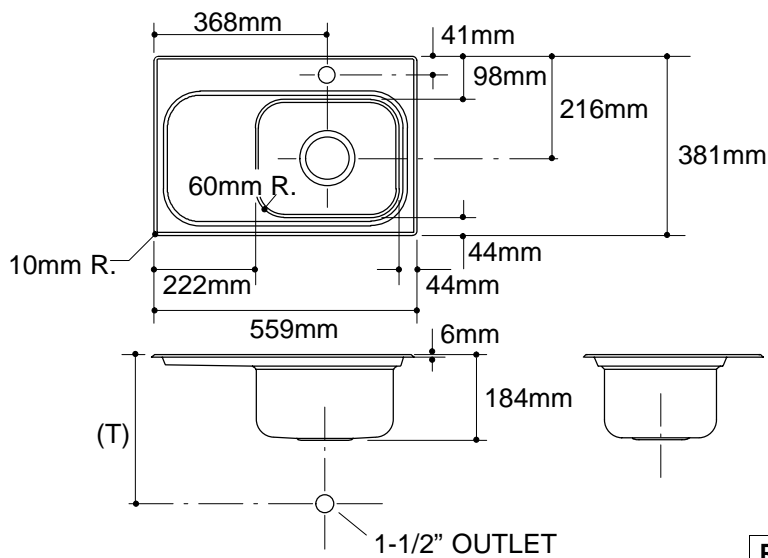
Applicable product:		
Single-hole sink	K-3234-1	shown
Accessories/hardware:		
Hardwood cutting board	K-3214	optional

Product Information

Fixture*:		basin area	water depth
Sink		305 x 254mm	159mm
Outlet	Ø92mm		
Faucet holes	Ø37mm		
* Approximate measurements for comparison only.			

Installation Notes

Refer to installation instructions included with fixture before beginning installation.



Roughing-In Notes

Fixture dimensions are nominal and conform to tolerances in ASME/ANSI Standard A112.19.3M.

(T) Drain typically 318mm.

Cutout	546 x 368mm with 13mm radius corners.
--------	---------------------------------------