

Ordering Information

Applicable product:		
Four-hole sink	K-3256-4	shown
Three-hole sink	K-3256-3	not shown
Accessories/hardware:		
Bottom basin rack	K-3190	optional
Wire rinse basket	K-3277	optional
Hardwood cutting board	K-3294	optional

Product Information

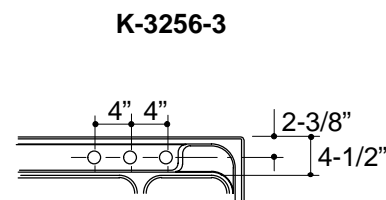
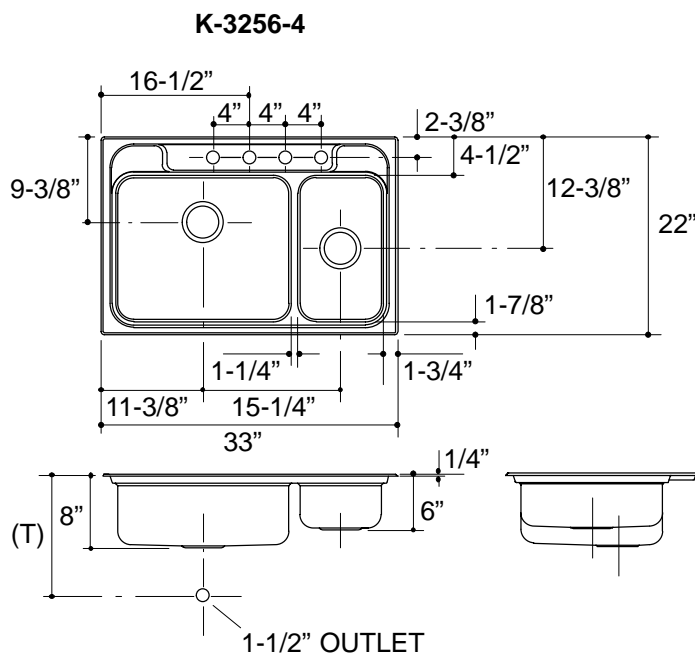
Fixture*:		basin area	water depth
Sink		19" x 16"	7-1/4"
Disposal		9" x 16"	5-1/4"
Outlet	3-5/8" D.		
Faucet holes	1-7/16" D.		

* Approximate measurements for comparison only.

Included Components:	
Fastener pack	90208

Installation Notes

Refer to installation instructions included with fixture before beginning installation.



Roughing-In Notes

Fixture dimensions are nominal and conform to tolerances in ASME/ANSI Standard A112.19.3M.

For disposal unit, consult supplier for roughing-in measurements.

(T) Drain typically 13-1/2".

Cutout 32-1/2" x 21-1/2" with 1/2" radius corners.

.85<116

K-3256 Ballad Sink
111035-1-CA (-)

KOHLER[®]