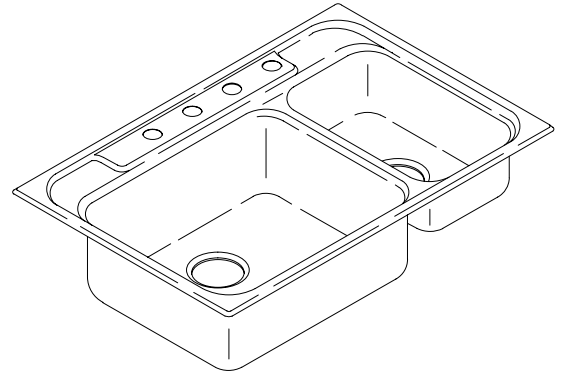


SELF-RIMMING KITCHEN SINK

K-3256

FEATURES

- 33" x 22"
- 18 gauge stainless steel
- Self-rimming
- Double (high/low) compartment
- 3-hole (K-3256-3) or 4-hole (K-3256-4) faucet punching
- Includes installation hardware



CODES/STANDARDS APPLICABLE

Specified model meets or exceeds the following:

- IAPMO/UPC
- State of Massachusetts

COLORS/FINISHES

- NA None Applicable

Accessories:

- CP Polished Chrome
- 0 White
- NA None Applicable
- Other Refer to Price Book for additional colors

SPECIFIED MODEL:

Model	Description	Colors/Finishes
K-3256-3	3-hole sink	<input type="checkbox"/> NA
K-3256-4	4-hole sink	<input type="checkbox"/> NA

Optional Accessories			
K-3190	Bottom basin rack (for left basin only)	<input type="checkbox"/> 0 White	<input type="checkbox"/> Other _____
K-3277	Wire rinse basket (for left basin only)	<input type="checkbox"/> 0 White	<input type="checkbox"/> Other _____
K-3294	Hardwood cutting board (for left basin only)	<input type="checkbox"/> NA	
K-8801	Duostrainer sink strainer	<input type="checkbox"/> CP	<input type="checkbox"/> Other _____

PRODUCT SPECIFICATION:

The self-rimming sink shall be 33" in length, and 22" in width. Sink shall be made of 18 gauge stainless steel. Sink shall be double (high/low) compartment. Sink shall be 3-hole (K-3256-3), or 4-hole (K-3256-4) faucet punched. Sink shall include installation hardware. Sink shall be Kohler Model K-3256-_____-_____.

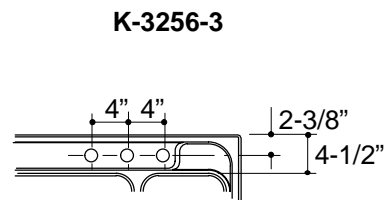
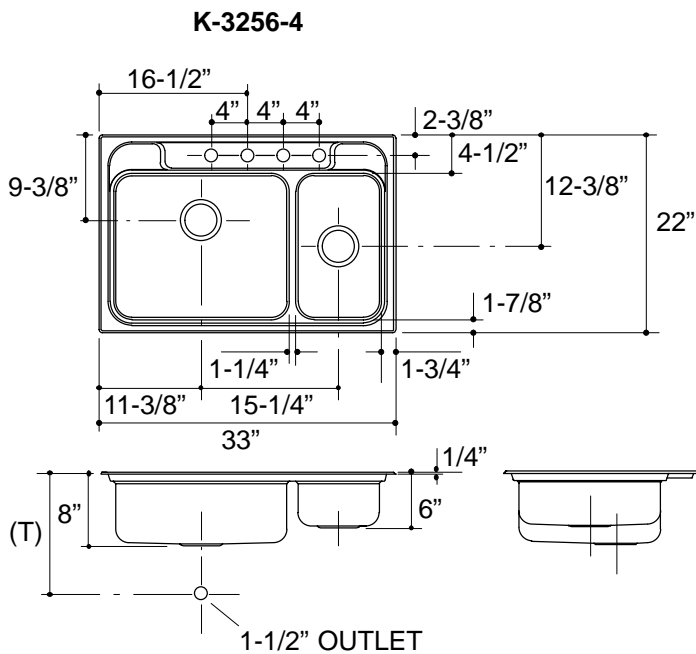
BALLAD

PRODUCT INFORMATION

Fixture*:		basin area	water depth
Sink		19" x 16"	7-1/4"
Disposal		9" x 16"	5-1/4"
Outlet	3-5/8" D.		
Faucet holes	1-7/16" D.		

* Approximate measurements for comparison only.

Included Components:	
Fastener pack	90208



Roughing-In Notes

For disposal unit, consult supplier for roughing-in measurements.

(T) Drain typically 13-1/2".

Cutout 32-1/2" x 21-1/2" with 1/2" radius corners.

.85<116

PRODUCT DIAGRAM