

## Ordering Information

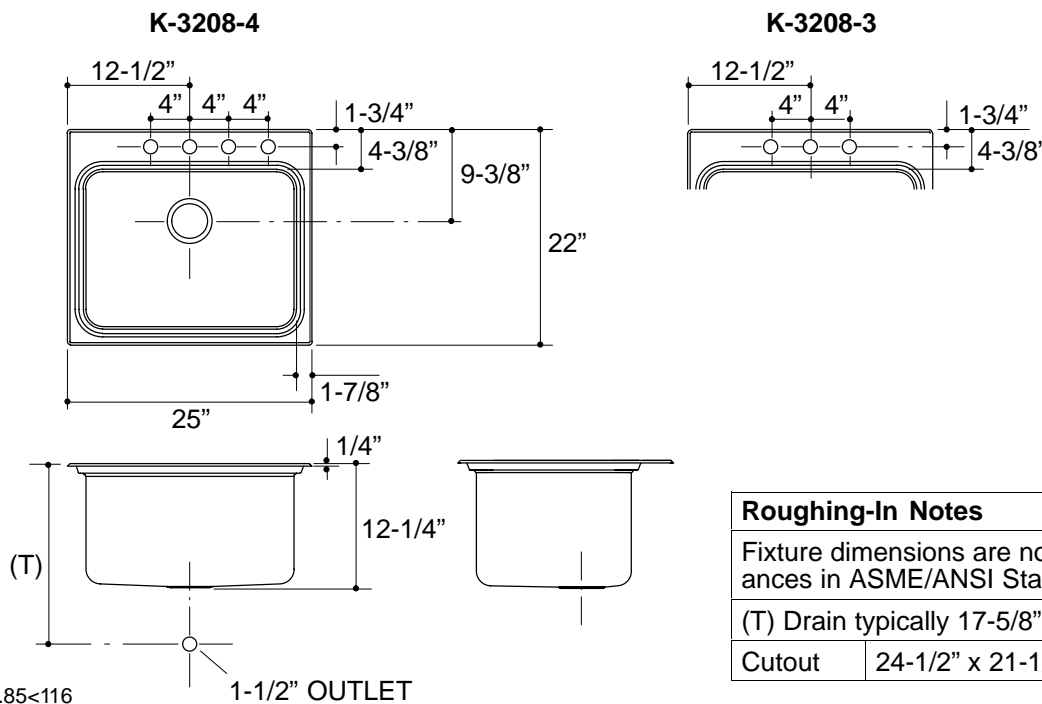
Applicable product:		
Four-hole sink	K-3208-4	shown
Three-hole sink	K-3208-3	not shown
Accessories/hardware:		
Bottom basin rack	K-3192	optional
Wire rinse basket	K-3277	optional
Hardwood cutting board	K-3294	optional

## Product Information

Fixture*:		basin area	water depth
Sink		21" x 16"	12"
Outlet	3-5/8" D.		
Faucet holes	1-7/16" D.		
* Approximate measurements for comparison only.			
Included Components:			
Fastener pack			90208

## Installation Notes

Refer to installation instructions included with fixture before beginning installation.



### Roughing-In Notes

Fixture dimensions are nominal and conform to tolerances in ASME/ANSI Standard A112.19.3M.

(T) Drain typically 17-5/8".

Cutout 24-1/2" x 21-1/2" with 1/2" radius corners.