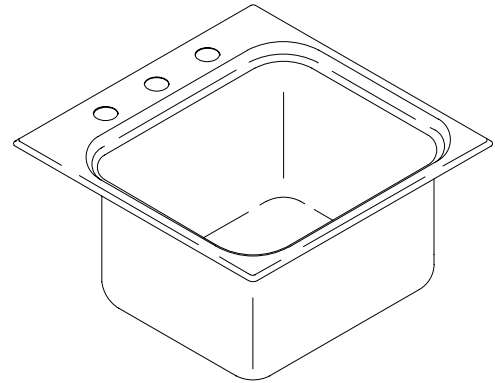


#### FEATURES

- 19" x 19"
- 18 gauge stainless steel
- Self-rimming
- Single compartment
- 3-hole (K-3260-3), or single-hole (K-3260-1) faucet punching
- Includes installation hardware



#### CODES/STANDARDS APPLICABLE

Specified model meets or exceeds the following:

- IAPMO/UPC
- State of Massachusetts

#### COLORS/FINISHES

- NA None Applicable

#### Accessories:

- CP Polished Chrome
- Other Refer to Price Book for additional finishes

#### SPECIFIED MODEL:

| Model                | Description               | Colors/Finishes             |                                     |
|----------------------|---------------------------|-----------------------------|-------------------------------------|
| K-3260-3             | 3-hole sink               | <input type="checkbox"/> NA |                                     |
| K-3260-1             | Single-hole sink          | <input type="checkbox"/> NA |                                     |
| Optional Accessories |                           |                             |                                     |
| K-8801               | Duostrainer sink strainer | <input type="checkbox"/> CP | <input type="checkbox"/> Other_____ |

#### PRODUCT SPECIFICATION:

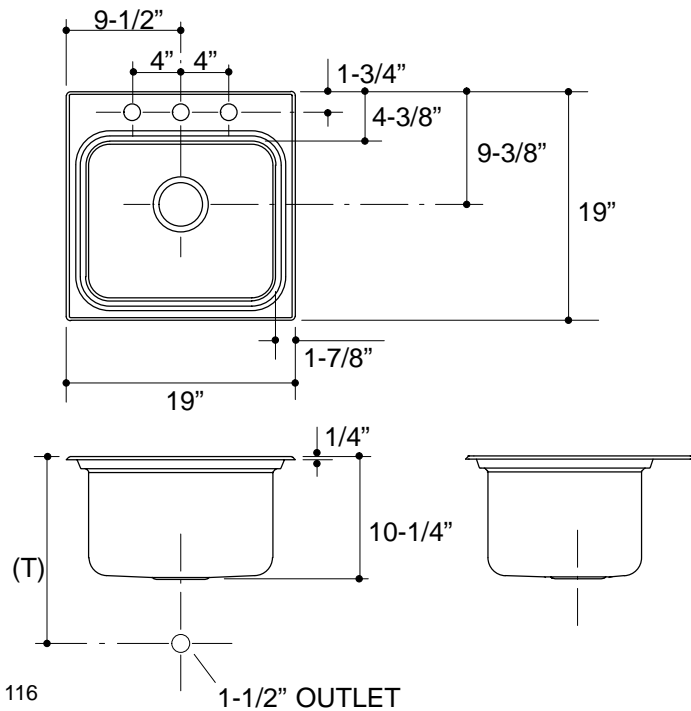
The self-rimming utility sink shall be 19" in length, and 19" in width. Sink shall be made of 18 gauge stainless steel. Sink shall be single compartment. Sink shall be 3-hole (K-3260-3), or single-hole (K-3260-1) faucet punched. Sink shall include installation hardware. Sink shall be Kohler Model K-3260-\_\_\_\_\_-\_\_\_\_\_.

# BALLAD

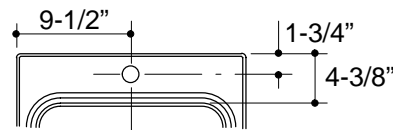
## PRODUCT INFORMATION

|   |            |            |             |
|---|------------|------------|-------------|
| Fixture*:                                       |            | basin area | water depth |
| Sink  |            | 15" x 13"  | 10"         |
| Outlet  | 3-5/8" D.  |            |             |
| Faucet holes                                    | 1-7/16" D. |            |             |
| * Approximate measurements for comparison only. |            |            |             |
| Included Components:                            |            |            |             |
| Fastener pack                                   |            | 90208      |             |

**K-3260-3**



**K-3260-1**



### Roughing-In Notes

Fixture dimensions are nominal and conform to tolerances in ASME/ANSI Standard A112.19.3M.

(T) Drain typically 15-1/2".

Cutout 18-1/2" x 18-1/2" with 1/2" radius corners.

## PRODUCT DIAGRAM