

### Ordering Information

Applicable product:		
Three-hole sink	K-3260-3	shown
One-hole sink	K-3260-1	not shown

### Product Information

Fixture*:		basin area	water depth
Sink		381 x 330mm	254mm
Outlet	Ø92mm		
Faucet holes	Ø37mm		

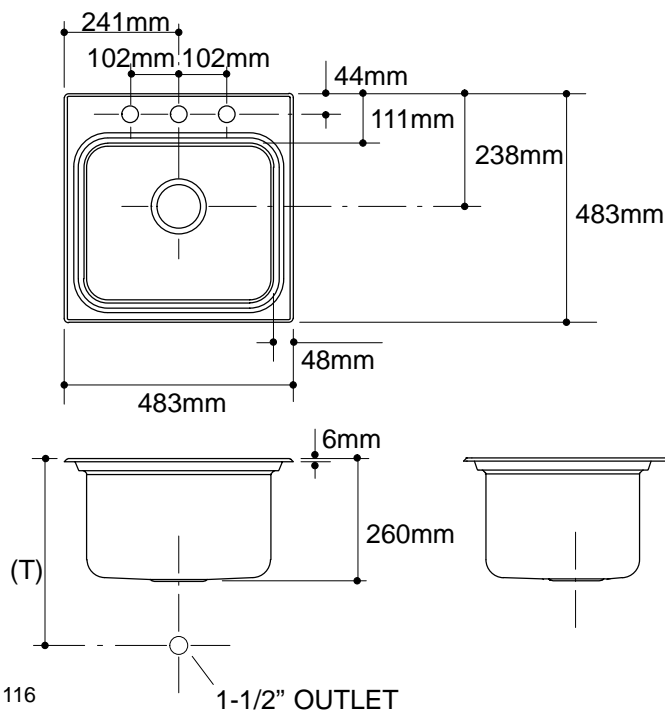
\* Approximate measurements for comparison only.

Included Components:	
Fastener pack	90208

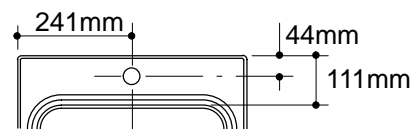
### Installation Notes

Refer to installation instructions included with fixture before beginning installation.

**K-3260-3**



**K-3260-1**



### Roughing-In Notes

Fixture dimensions are nominal and conform to tolerances in ASME/ANSI Standard A112.19.3M.

(T) Drain typically 394mm.

Cutout 470 x 470mm with 13mm radius corners.