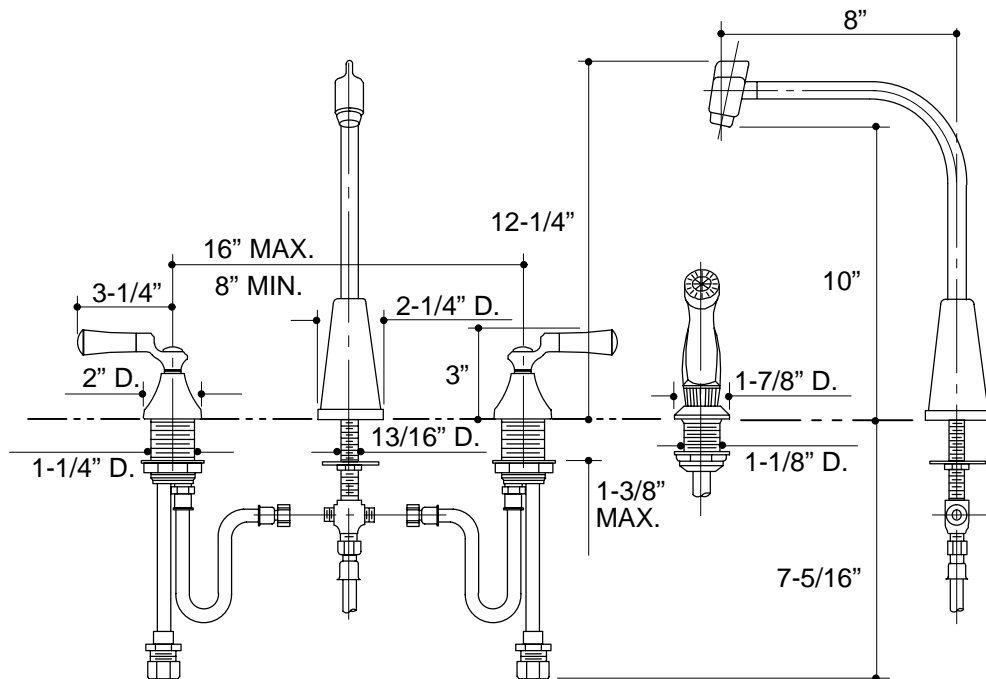


**Ordering Information**

Applicable faucet:	
Lever handles	K-6273-4
<b>ADA</b> Lever handles are ADA compliant	



516

**K-6273-4** Flair™ Kitchen Sink Faucet  
111042-1-AA (9619)

**NOTES:**