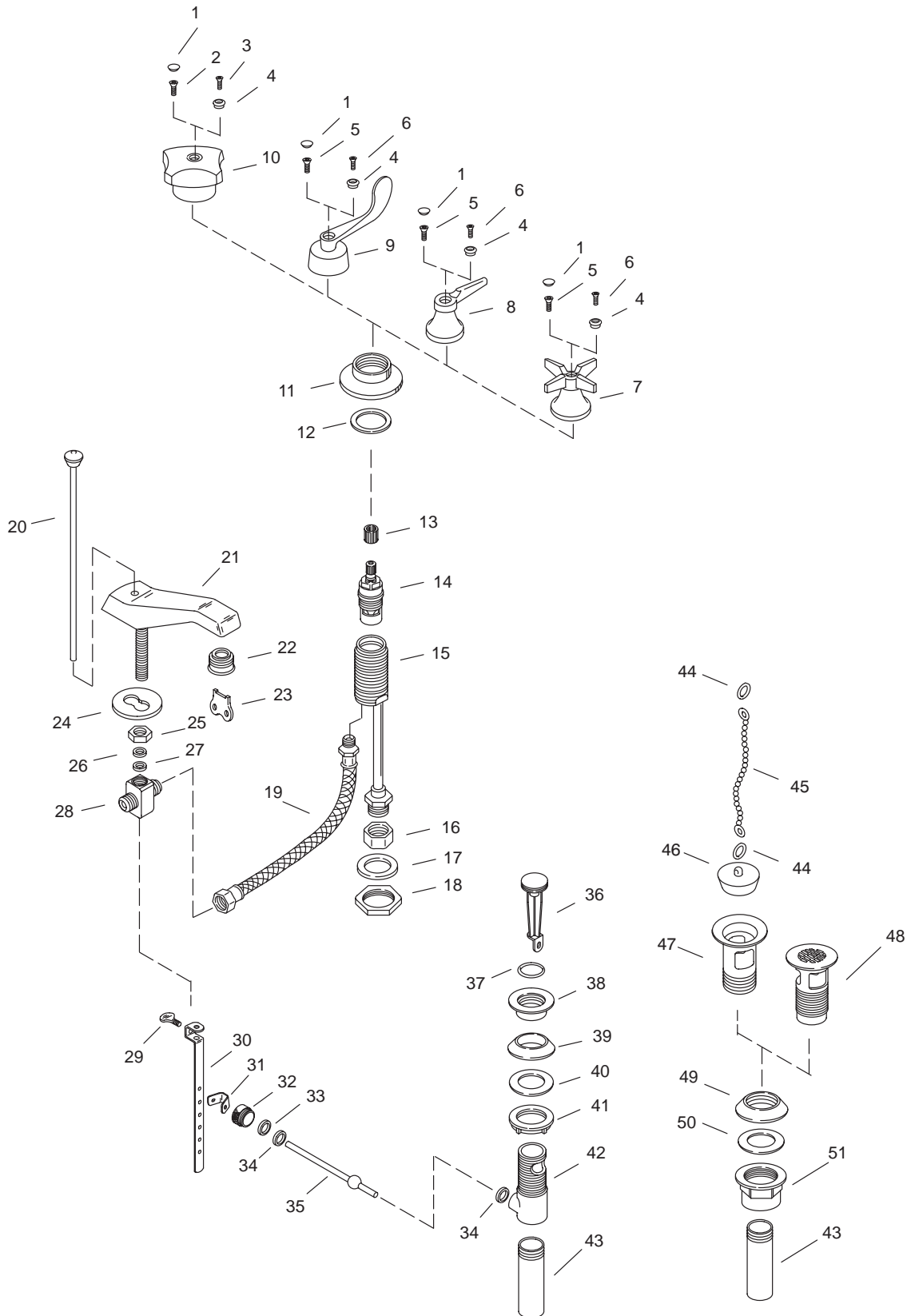


KOHLER® SERVICE PARTS

TRITON™ LAVATORY FAUCETS
 K-7437-**-**-BA
 K-7472-**-**-BB
 K-7444-**-**-BA
 K-7443-**-**-BA



Variation and/or finish/color code may be required when ordering.

SERVICE PARTS

| ITEM NO. | PART NO. | DESCRIPTION |
|----------|----------|--|
| 1 | 52622 | Button Cap |
| 2 | 56074 | Screw, .164-32 UNC x .31 |
| 3 | 58891-S | Screw, 8-32 x .51 |
| 4 | 52623-C | Button Cap, Blue |
| | 52623-H | Button Cap, Red |
| | 52623-A | Button Cap, Black |
| 5 | 31490 | Screw, .164-32 UNC-2A x .50 |
| 6 | 58892-S | Screw, 8-32 x .67 |
| 7 | 52640 | 4-Prong Handle & Bonnet Assembly |
| 8 | 52637 | Lever Handle, Large Bonnet Assembly |
| 9 | 52926 | Wristblade Handle Assembly |
| 10 | 52644 | Handle Assembly (Standard Handle) |
| 11 | 40000 | Escutcheon |
| 12 | 34037 | Gasket, 1-1/2 x 2-3/16 |
| 13 | 59027 | Spline Adapter |
| 14 | 30430 | Ceramic Valve (Clockwise Close) |
| | 30431 | Ceramic Valve (Counterclockwise Close) |
| 15 | | Available in Service Kit only |
| 16 | 32751 | Nut, .5-14 NPSM |
| 17 | 40001 | Washer, 1-9/32 ID x 1-3/4 OD |
| 18 | 40005 | Nut, 1.25-20 UNS-2B |
| 19 | 40008 | Hose, 1/4-18 NPT X 16-1/2 |
| 20 | 51196 | Rod Subassembly |
| 21 | | Available in Service Kit Only |
| 22 | 59621 | Aerator, 2.0, 15/16 Male |
| | 59875 | Aerator, Streambreaker, 15/16 Male |
| | 41782 | Aerator, 1.5 GPM |
| | 59874 | V.R. Aerator, 2.0, 15/16 Male |
| | 55008 | V.R. Aerator, 1.5 GPM |
| | 20343 | V.R. Aerator, 0.5 GPM |
| 23 | 21999 | Wrench, VP |
| 24 | 40015 | Washer, Special |
| 25 | 40014 | Nut, .75-18 NPSM |
| 26 | 40097 | Washer, .281 ID x .460 OD |
| 27 | 40013 | Gasket, .250 ID X .460 OD |
| 28 | 40098 | Supply Tee |
| 29 | 57422 | Thumb Screw |
| 30 | 73382 | Link |
| 31 | 40228 | Spring Clip |
| 32 | 57403 | Retainer Nut |
| 33 | 38745 | Washer, .531 ID x .734 OD |
| 34 | 38744 | Washer, .484 ID x .748 OD |
| 35 | 41312 | Lever Assembly |
| 36 | | Available in Service Kit Only |
| 37 | 38676 | O-Ring, 024 x 1.114 |
| 38 | 57408 | Flange |
| 39 | 57966 | Gasket |
| 40 | 40238 | Washer |
| 41 | 40076 | Locknut |
| 42 | 57405 | Drain Body |
| 43 | 41640 | Tailpiece, 4-1/4" Long |
| 44 | 41188 | Key Ring |
| 45 | 31815 | Bead Chain |
| 46 | 31814 | Plug, Ribber |
| 47 | 33644 | Body, Strainer |
| 48 | 57248 | Strainer Assembly |
| 49 | 33507 | Drain Gasket |
| 50 | 34043 | Washer, 1-17/32 x 2-1/8 |
| 51 | 20831 | Nut, 1-1/2-16 UNS |

SERVICE KITS

| PART NO. | ITEM NO. | QTY. | DESCRIPTION |
|----------|----------|-------|---|
| 43169 | | | Escutcheon Subassembly |
| | 11 | 2 ea. | Escutcheon |
| | 12 | 2 ea. | Gasket, 1-1/2 x 2-3/16 |
| 40409 | | | End Valve Assembly, Hot (Clockwise Close) |
| | 14 | 1 ea. | Ceramic Valve (Clockwise Close) |
| | 15 | 1 ea. | End Valve Body Assembly |
| | 16 | 1 ea. | Nut, .5-14 NPSM |
| 40478 | | | End Valve Assy, Cold (Counterclockwise Close) |
| | 14 | 1 ea. | Ceramic Valve (Counterclockwise Close) |
| | 15 | 1 ea. | End Valve Body Assembly |
| | 16 | 1 ea. | Nut, .5-14 NPSM |
| 40037 | | | Nut & Washer Subassembly |
| | 17 | 2 ea. | Washer, 1 9/32 ID x 1 3/4 OD |
| | 18 | 2 ea. | Nut, 1.25-20 UNS-2B |
| 73149 | | | Spout Assembly |
| | 21 | 1 ea. | 5" Spout/Shank (w/drain hole) |
| | 22 | 1 ea. | Aerator, 2.0, 15/16 male |
| 59837 | | | Spout Assembly |
| | 21 | 1 ea. | 5" Spout/Shank (w/o drain hole) |
| | 22 | 1 ea. | Aerator, 2.0, 15/16 male |
| 59845 | | | Spout Assembly |
| | 21 | 1 ea. | 5" Spout/Shank (for Chain and Stopper) |
| | 22 | 1 ea. | Aerator, 2.0, 15/16 male |
| 40036 | | | Tee, Nut & Washer Assembly |
| | 24 | 1 ea. | Washer, Special |
| | 25 | 1 ea. | Nut, .75-18 NPSM |
| | 26 | 1 ea. | Washer, .281 ID x .460 OD |
| | 27 | 1 ea. | Gasket, .250 ID X .460 OD |
| | 28 | 1 ea. | Supply Tee |
| 58156 | | | Drain Hardware Assembly |
| | 29 | 1 ea. | Thumb Screw |
| | 30 | 1 ea. | Link |
| | 31 | 1 ea. | Spring Clip |
| | 32 | 1 ea. | Retainer Nut |
| | 33 | 1 ea. | Washer, .531 ID x .734 OD |
| | 34 | 2 ea. | Washer, .484 ID x .748 OD |
| | 35 | 1 ea. | Lever Assembly |
| 58154 | | | Stopper Kit, Plastic |
| | 36 | 1 ea. | VR Stopper Assembly, Plastic |
| | 37 | 1 ea. | O-Ring, 024 x 1.114 |
| 58152 | | | Drain Assembly, Plastic |
| | | 1 ea. | VR Stopper Assembly, Plastic |
| | 36 | 1 ea. | O-Ring, 024 x 1.114 |
| | 37 | 1 ea. | Flange |
| | 38 | 1 ea. | Gasket |
| | 39 | 1 ea. | Washer |
| | 40 | 1 ea. | Locknut |
| | 41 | 1 ea. | Drain Body |
| 29839 | | | Chain Stopper Assembly |
| | 44 | 2 ea. | Key Ring |
| | 45 | 1 ea. | Bead Chain |
| | 46 | 1 ea. | Plug, Rubber |
| 23103 | | | Strainer Assembly |
| | 43 | 1 ea. | Tailpiece, 4-1/4" Long |
| | 47 | 1 ea. | Body, Strainer |
| | 49 | 1 ea. | Drain Gasket |
| | 50 | 1 ea. | Washer, 1-17/32 x 2-1/8 |
| | 51 | 1 ea. | Nut, 1-1/2-16 UNS |
| 57427 | | | Lav Drain Assembly |
| | 48 | 1 ea. | Strainer Assembly |
| | 49 | 1 ea. | Drain Gasket |
| | 50 | 1 ea. | Washer, 1-17/32 x 2-1/8 |
| | 51 | 1 ea. | Nut, 1-1/2-16 UNS |
| 56520 | | | Gasket Kit |
| | 49 | 1 ea. | Drain Gasket |
| | 50 | 1 ea. | Washer, 1-17/32 x 2-1/8 |
| | 51 | 1 ea. | Nut, 1-1/2-16 UNS |

Variation and/or finish/color code may be required when ordering.