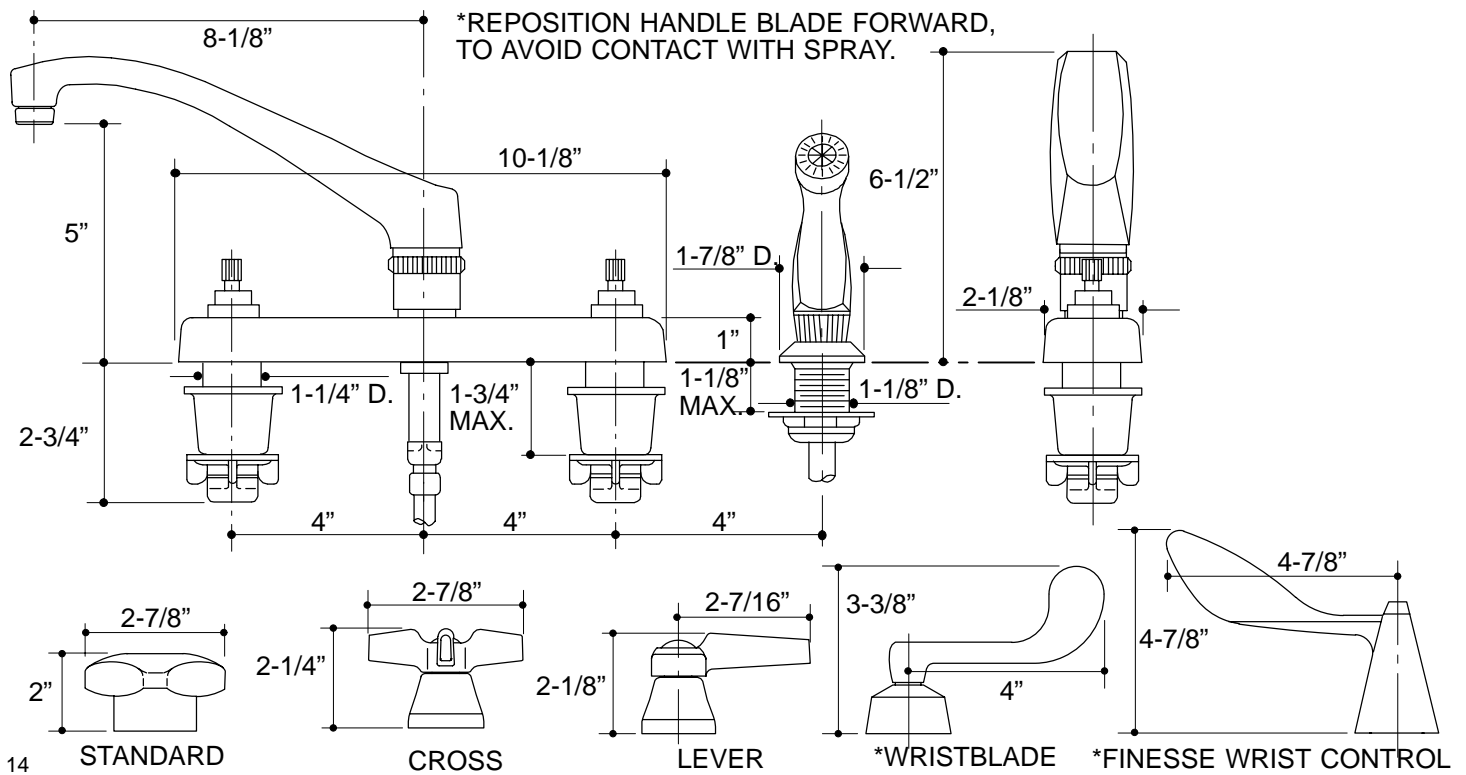


Ordering Information

Applicable faucet:	
Base faucet without spray	K-7825-K
Base faucet with spray	K-7827-K
Triton standard handle	K-16010-2
Triton cross handle	K-16010-3
Triton lever handle	K-16010-4
Triton wristblade lever handle	K-16010-5
Finesse wrist control lever handle	K-16050-5
ADA Lever and cross handles are ADA compliant	



K-7825-K, K-7827-K Triton/Finesse Kitchen Sink Faucet
111058-1-CA (-)

NOTES: