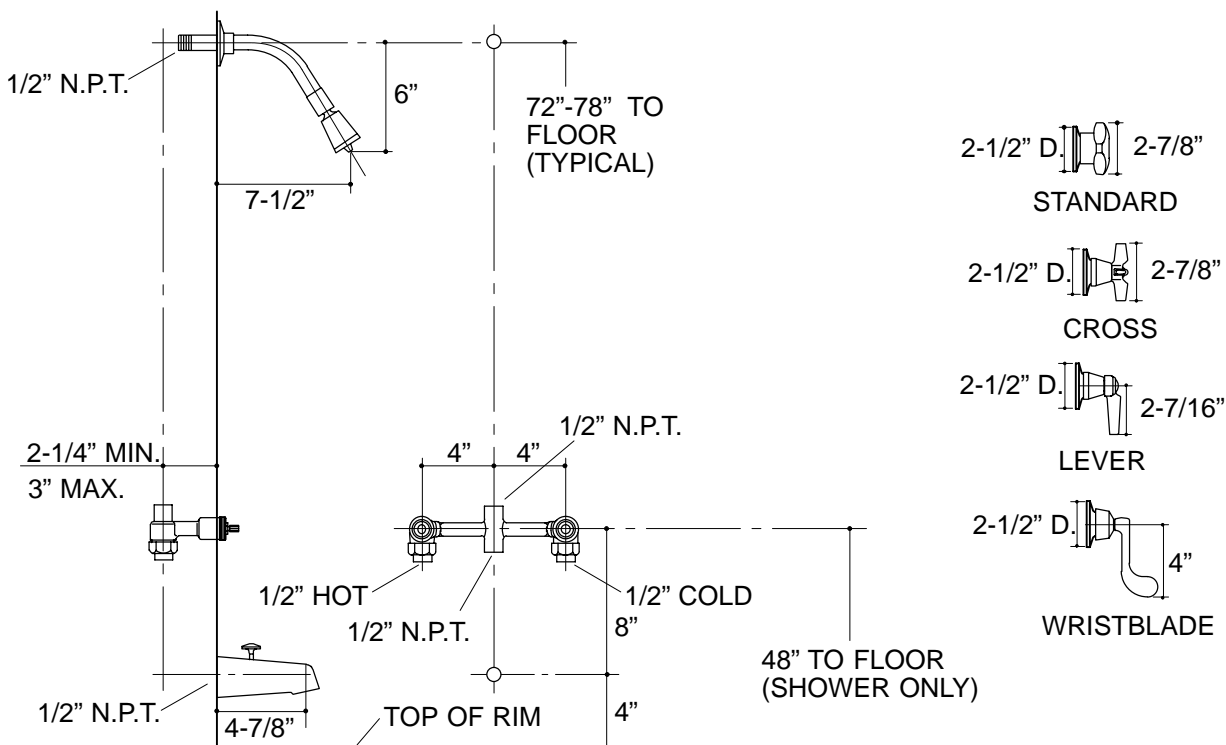


Ordering Information

Applicable bath and shower faucet trim only:	
Standard handles*	K-T7004-2A
Cross handles*	K-T7004-3A
Lever handles*	K-T7004-4A
Wristblade lever handles*	K-T7004-5A
Applicable shower faucet trim only:	
Standard handles*	K-T7226-2A
Cross handles*	K-T7226-3A
Lever handles*	K-T7226-4A
Wristblade lever handles*	K-T7226-5A
Applicable valve trim only:	
Standard handles*	K-T7744-2
Cross handles*	K-T7744-3
Lever handles*	K-T7744-4
Wristblade lever handles*	K-T7744-5
*Valve K-302-K must be ordered to complete faucet.	

Applicable valve system only:		
1/2" valve system	K-302-K-NA	required**
ADA Lever and cross handles are ADA compliant		
**Required for configuration illustrated.		



332

K-T7004, K-T7226, K-T7744, K-302-K Triton™ Bath and Shower Faucet
111059-1-BA (-)

KOHLER®

NOTES: