

**Ordering Information**

Applicable bath and shower trim only:	
Lever Handle and Clear Acrylic Insert*	K-T6213-4
Applicable shower trim only:	
Lever Handle and Clear Acrylic Insert*	K-T6215-4
Applicable valve trim only:	
Lever Handle and Clear Acrylic Insert*	K-T6217-4
*Rite-Temp valve must be ordered to complete faucet.	

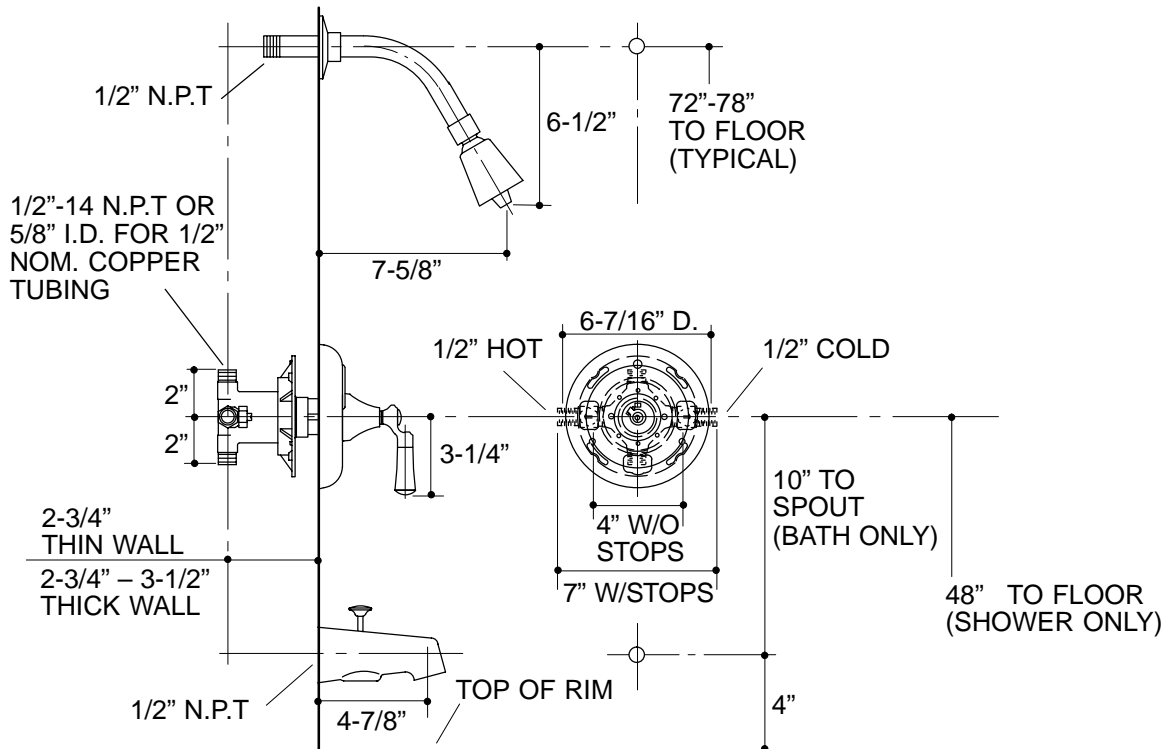
Applicable Rite-Temp valve only:		
Rite-Temp valve without stops	K-304-K	required**
Rite-Temp valve with stops	K-304-KS	required**
**Required for configuration illustrated.		
<b>ADA</b> Lever handle is ADA compliant		

**Installation Notes**

Avoid cross-flow conditions. Do not install shut-off device on either valve outlet.

Cap shower outlet if deck-mount spout, diverter, or handshower is connected to spout outlet.

Install straight pipe or tube drop of 7 to 18" with single elbow between valve and wall-mount spout.



18