

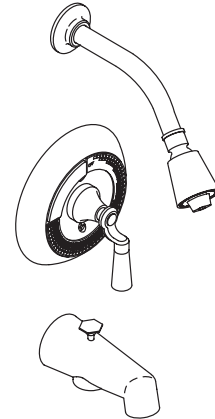
FEATURES

- Brass construction
- Available with lever handle with clear acrylic insert or sculptured acrylic handle
- Intended for use with Rite-Temp or Hi Flow Rite-Temp valves

**BATH AND SHOWER FAUCET TRIM
K-T6213-4**

**ALSO K-T6215-4, K-T6217-4,
K-304, K-306-KS**

ADA



CODES/STANDARDS APPLICABLE

Specified model meets or exceeds the following:

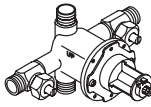
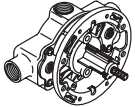
- ASME/ANSI A112.18.1M
- ASSE/ANSI 1016
- CSA B125
- IAPMO/UPC


COLORS/FINISHES

- CP Polished Chrome
- PB Polished Brass

SPECIFIED MODEL: For complete faucet, both faucet trim and Rite-Temp valve must be specified.

Model	Description		
K-T6213-4	Bath and Shower Trim, Lever Handle and Clear Acrylic Insert	<input type="checkbox"/> CP	<input type="checkbox"/> PB
K-T6215-4	Shower Only Trim, Lever Handle and Clear Acrylic Insert	<input type="checkbox"/> CP	<input type="checkbox"/> PB
K-T6217-4	Valve Only Trim, Lever Handle and Clear Acrylic Insert	<input type="checkbox"/> CP	<input type="checkbox"/> PB

Required Accessory				
K-304-K	Rite-Temp Valve Without Stops	<input type="checkbox"/> NA		
K-304-KS	Rite-Temp Valve With Stops		<input type="checkbox"/> NA	
K-306-KS	Hi Flow Rite-Temp Valve With Integral Stops			<input type="checkbox"/> NA

Optional Accessory							
K-7270	Lever handle insert, single	<input type="checkbox"/> CP	<input type="checkbox"/> PB	<input type="checkbox"/> Other			
88526	Hi Flow Rite-Temp Thin Wall Installation Kit				<input type="checkbox"/> CP	<input type="checkbox"/> PB	<input type="checkbox"/> Other

PRODUCT SPECIFICATION:

Rite-Temp pressure-balancing single-control bath and shower faucet trim shall be of brass construction. Bath and shower trim shall include showerhead with arm and flange, 4-7/8" diverter spout with N.P.T. connection, and faceplate with handle. Shower only trim shall include showerhead with arm and flange, and faceplate with handle. Valve only trim shall include faceplate with handle. Faucet trim shall be K-T _____ - _____ - _____ and Rite-Temp valve shall be K-304- _____ -NA OR K-306-KS-NA Hi Flow Rite-Temp valve.

PRODUCT INFORMATION

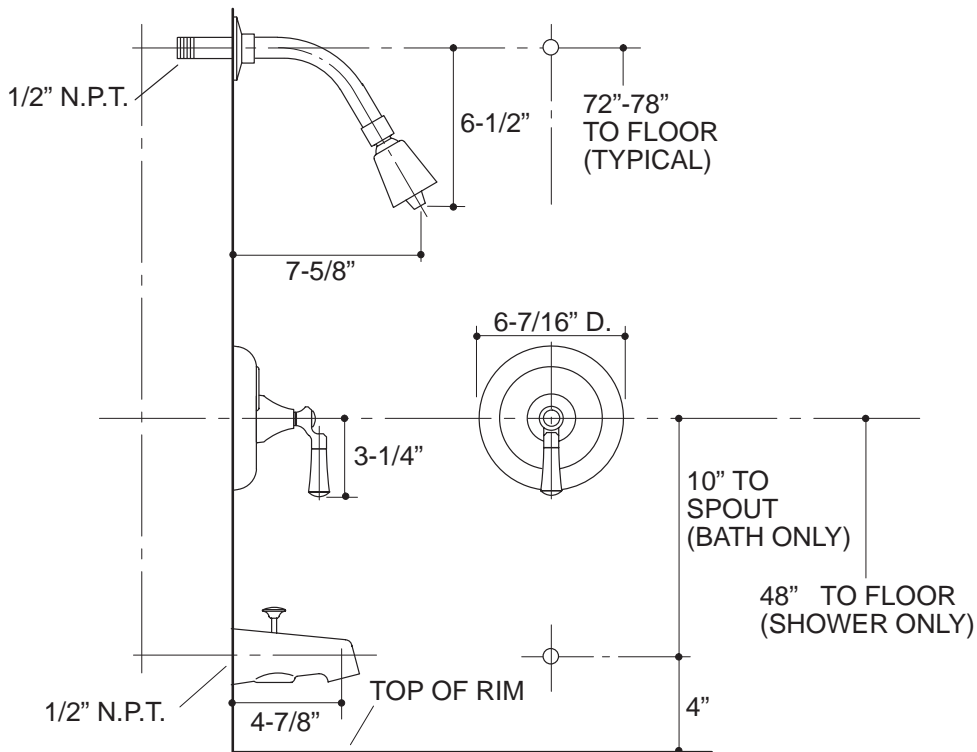
WARNING: Risk of damage to the K-306-KS valve assembly. When using the K-306-KS valve in a fiberglass or acrylic installation, use the thin wall installation kit (88526).

INSTALLATION NOTES

Avoid cross-flow conditions. Do not install shut-off device on either valve outlet.

Cap shower outlet if deck-mount spout, diverter, or handshower is connected to spout outlet.

Install straight pipe or tube drop of 7 to 18" with single elbow between valve and wall-mount spout.



18

PRODUCT DIAGRAM