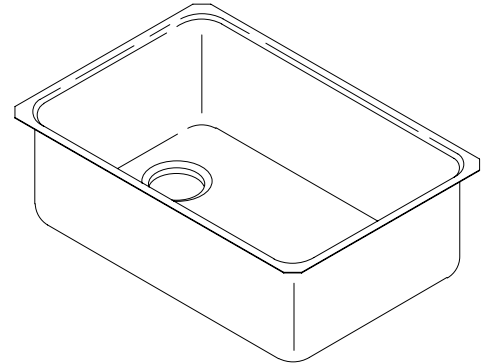


#### FEATURES

- 14" x 18-5/8"
- 18 gauge stainless steel
- Undercounter
- Single compartment
- Squared bowl
- Includes installation hardware



#### CODES/STANDARDS APPLICABLE

Specified model meets or exceeds the following:

- IAPMO/UPC
- State of Massachusetts

#### COLORS/FINISHES

- NA None Applicable

#### Accessories:

- CP Polished Chrome
- 0 White
- Other Refer to Fixtures Price Book for additional colors

#### SPECIFIED MODEL:

Model	Description	Colors/Finishes	
K-3334	Undercounter sink	<input type="checkbox"/> NA	
Optional Accessories			
K-3277	Wire basket	<input type="checkbox"/> 0 White	<input type="checkbox"/> Other_____
K-8801	Duostrainer sink strainer	<input type="checkbox"/> CP	<input type="checkbox"/> Other_____

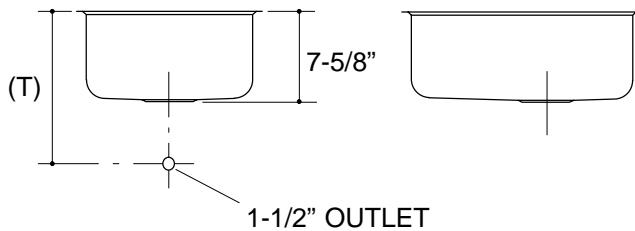
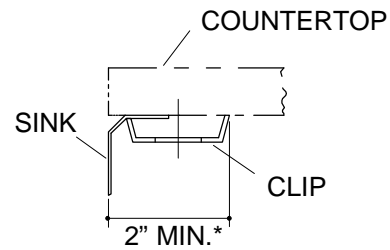
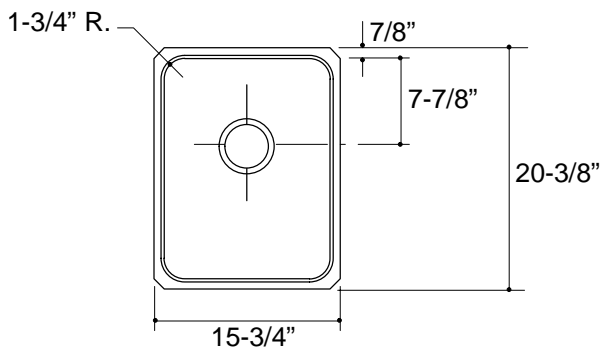
#### PRODUCT SPECIFICATION:

The undercounter sink shall be 14" in length, and 18-5/8" in width. Sink shall be made of 18 gauge stainless steel. Sink shall be single compartment with squared bowl. Sink shall include installation hardware. Sink shall be Kohler Model K-3334-\_\_\_\_\_.

# UNDERTONE™

## PRODUCT INFORMATION

Fixture*:		basin area	water depth
Sink		14" x 19"	7-7/16"
Outlet	3-5/8" D.		
* Approximate measurements for comparison only.			
Included Components:			
Hardware kit		91915	
Cutout template		113195	



### Roughing-In Notes

(T) Drain typically 13".

\*Allow clearance around sink rim for clip attachment.

## PRODUCT DIAGRAM