

Ordering Information

Accessories/hardware:		
Wire rinse basket/dishrack	K-3277	optional

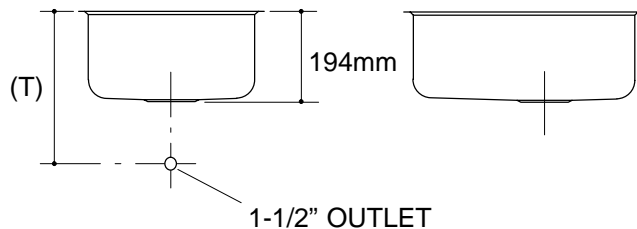
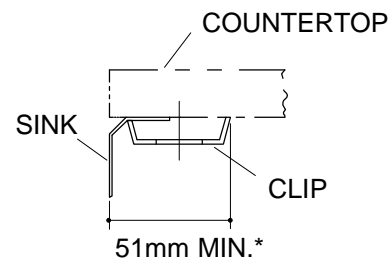
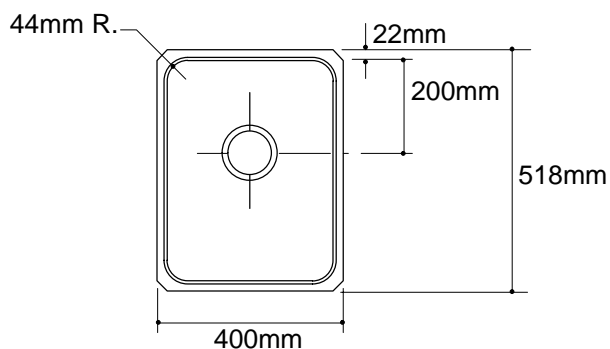
Product Information

Fixture*:		basin area	water depth
Sink		356 x 483mm	189mm
Outlet	Ø92mm		
* Approximate measurements for comparison only.			

Included Components:	
Hardware kit	91915
Cutout template	113195

Installation Notes

Refer to installation instructions included with fixture before beginning installation.



Roughing-In Notes
Fixture dimensions are nominal and conform to tolerances in ASME/ANSI Standard A112.19.3M.
(T) Drain typically 330mm.
*Allow clearance around sink rim for clip attachment.