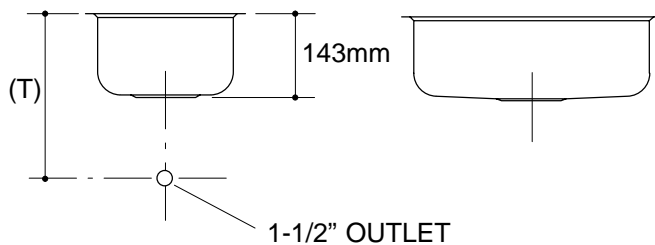
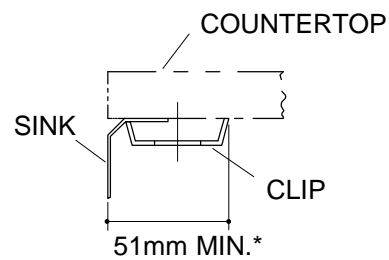
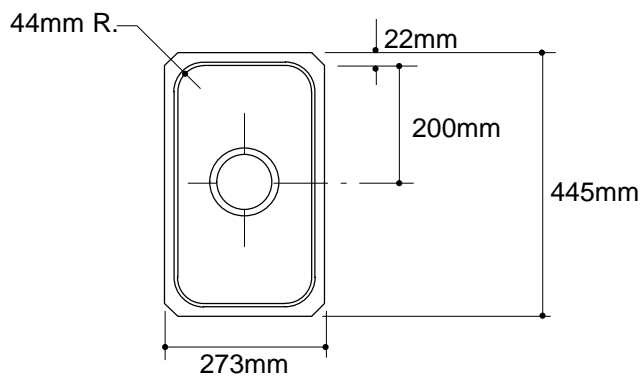


**Product Information**

Fixture*:		basin area	water depth
Sink		229 x 406mm	140mm
Outlet	Ø92mm		
* Approximate measurements for comparison only.			
Included Components:			
Hardware kit		91915	
Cutout template		113194	

**Installation Notes**

Refer to installation instructions included with fixture before beginning installation.



<b>Roughing-In Notes</b>
Fixture dimensions are nominal and conform to tolerances in ASME/ANSI Standard A112.19.3M.
(T) Drain typically 279mm.
*Allow clearance around sink rim for clip attachment.

1.25>116