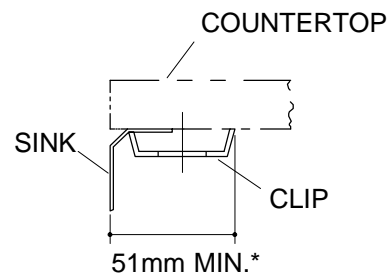
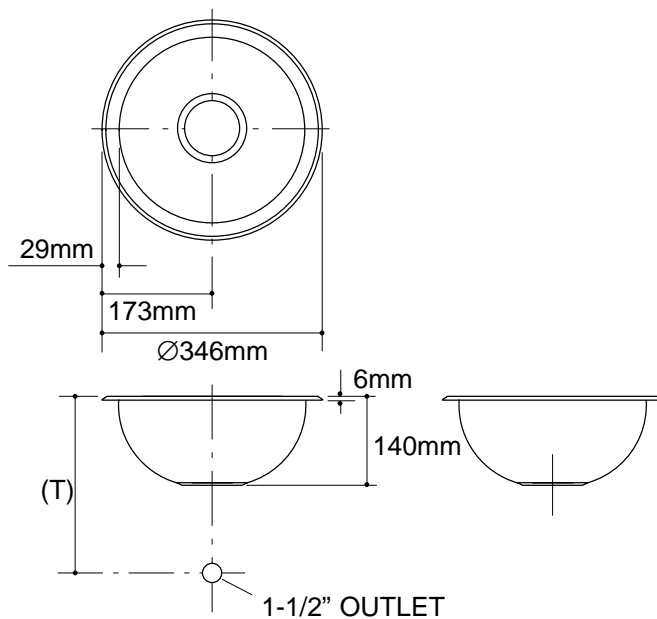


Product Information

Fixture*:		basin area	water depth
Sink		Ø292mm	133mm
Outlet	Ø92mm		
* Approximate measurements for comparison only.			
Included Components:			
Hardware kit		91915	
Cutout template		111578	

Installation Notes

Refer to installation instructions included with fixture before beginning installation.



Roughing-In Notes
Fixture dimensions are nominal and conform to tolerances in ASME/ANSI Standard A112.19.3M.
(T) Drain typically 276mm.
*Allow clearance around sink rim for clip attachment.

1.25>116