

Ordering Information

Accessories/hardware:		
Hardwood cutting board/colander package	K-3292	optional

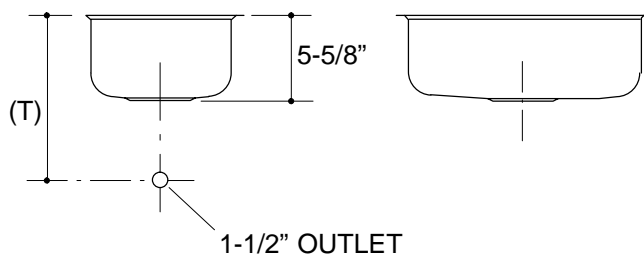
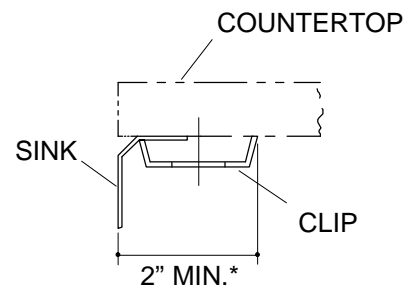
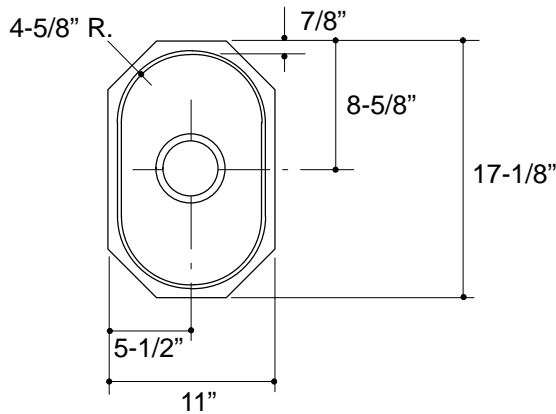
Product Information

Fixture*:		basin area	water depth
Sink		9" x 15"	5-1/2"
Outlet	3-5/8" D.		
* Approximate measurements for comparison only.			

Included Components:	
Hardware kit	91915
Cutout template	113199

Installation Notes

Refer to installation instructions included with fixture before beginning installation.



1.25>116

Roughing-In Notes

Fixture dimensions are nominal and conform to tolerances in ASME/ANSI Standard A112.19.3M.

(T) Drain typically 11".

*Allow clearance around sink rim for clip attachment.