

Ordering Information

Accessories/hardware:		
Hardwood cutting board/colander package	K-3292	optional

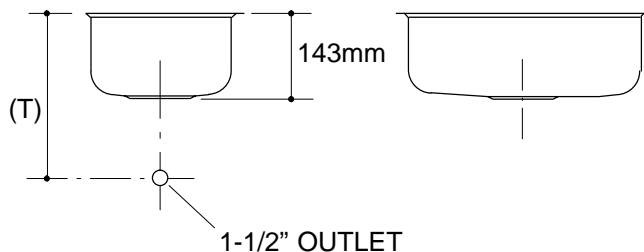
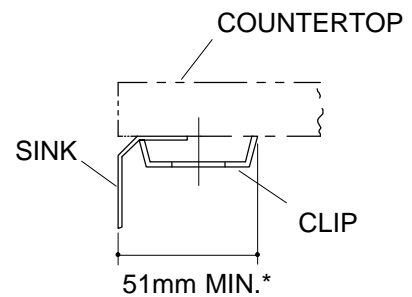
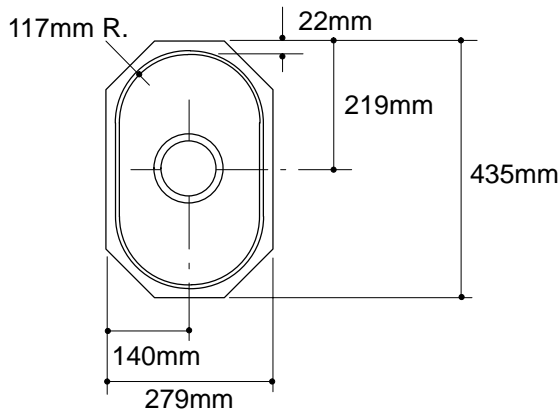
Product Information

Fixture*:		basin area	water depth
Sink		229 x 381mm	140mm
Outlet	Ø92mm		
* Approximate measurements for comparison only.			

Included Components:	
Hardware kit	91915
Cutout template	113199

Installation Notes

Refer to installation instructions included with fixture before beginning installation.



1.25>116

Roughing-In Notes
Fixture dimensions are nominal and conform to tolerances in ASME/ANSI Standard A112.19.3M.
(T) Drain typically 279mm.
*Allow clearance around sink rim for clip attachment.