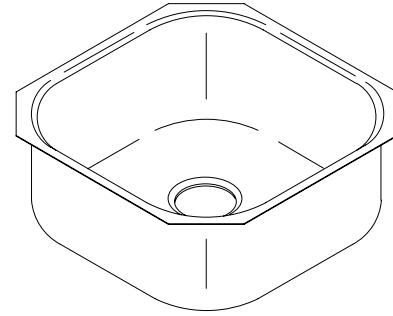


#### FEATURES

- 13-3/4" x 15-3/8"
- 18 gauge stainless steel
- Undercounter
- Single compartment
- Rounded bowl
- Includes installation hardware



#### CODES/STANDARDS APPLICABLE

Specified model meets or exceeds the following:

- IAPMO/UPC
- State of Massachusetts

#### COLORS/FINISHES

- NA None Applicable

#### Accessories:

- CP Polished Chrome
- 0 White
- Other Refer to Price Book for additional colors
- NA None Applicable

#### SPECIFIED MODEL:

Model	Description	Colors/Finishes	
K-3336	Undercounter sink	<input type="checkbox"/> NA	
<b>Optional Accessories</b>			
K-3278	Hardwood cutting board	<input type="checkbox"/> NA	
K-3291	Colander	<input type="checkbox"/> 0 White	<input type="checkbox"/> Other_____
K-8801	Duostrainer sink strainer	<input type="checkbox"/> CP	<input type="checkbox"/> Other_____

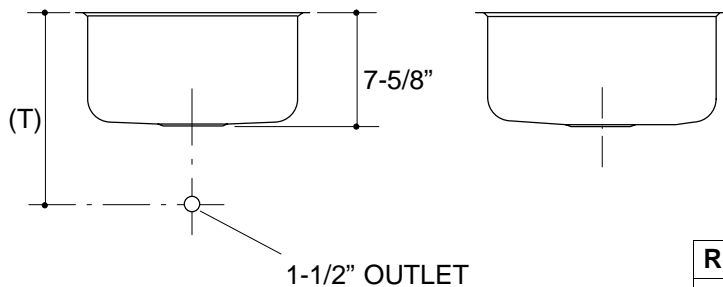
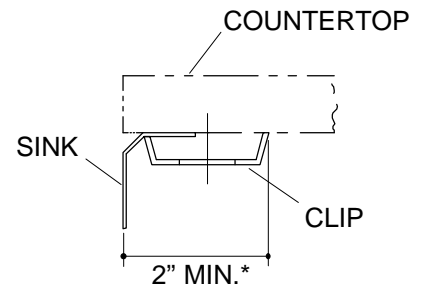
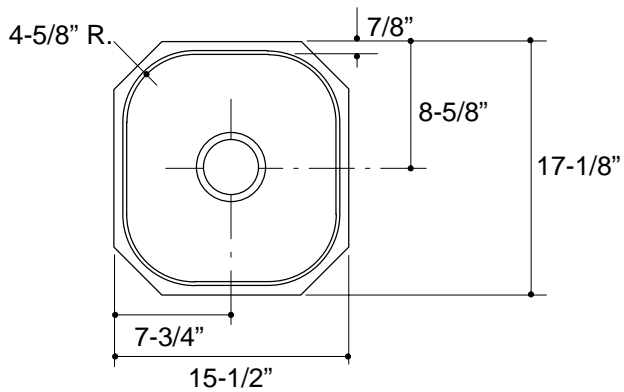
#### PRODUCT SPECIFICATION:

The undercounter sink shall be 13-3/4" in length, and 15-3/8" in width. Sink shall be made of 18 gauge stainless steel. Sink shall be single compartment with rounded bowl. Sink shall include installation hardware. Sink shall be Kohler Model K-3336-\_\_\_\_\_.

# UNDERTONE™

## PRODUCT INFORMATION

Fixture*:		basin area	water depth
Sink		14" x 15"	7-1/2"
Outlet	3-5/8" D.		
* Approximate measurements for comparison only.			
Included Components:			
Hardware kit		91915	
Cutout template		113197	



### Roughing-In Notes

(T) Drain typically 13".

\*Allow clearance around sink rim for clip attachment.

1.25>116

## PRODUCT DIAGRAM