

Ordering Information

Accessories/hardware:		
Hardwood cutting board	K-3278	optional
Colander	K-3291	optional

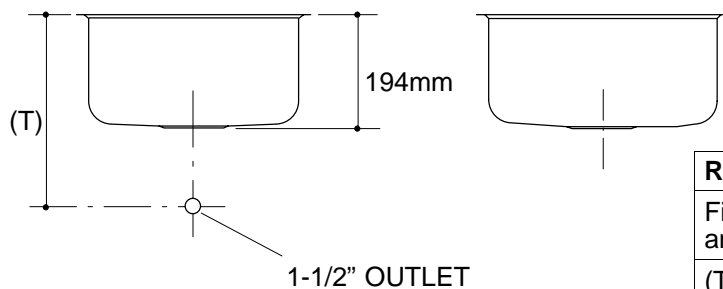
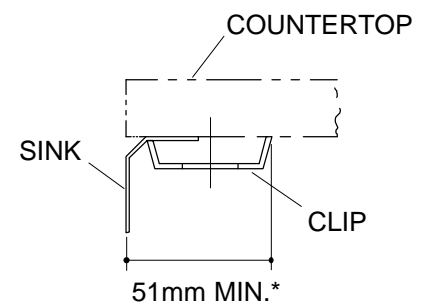
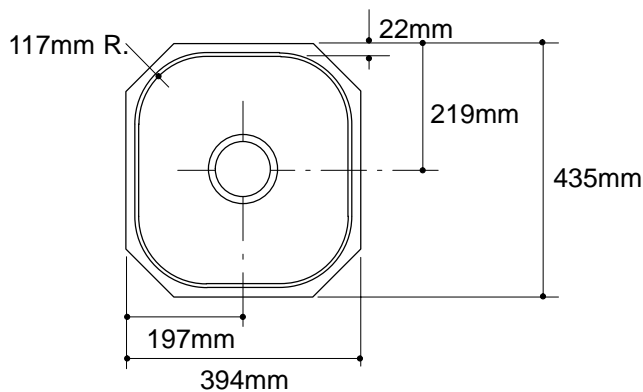
Product Information

Fixture*:		basin area	water depth
Sink		356 x 381mm	191mm
Outlet	Ø92mm		
* Approximate measurements for comparison only.			

Included Components:	
Hardware kit	91915
Cutout template	113197

Installation Notes

Refer to installation instructions included with fixture before beginning installation.



Roughing-In Notes

Fixture dimensions are nominal and conform to tolerances in ASME/ANSI Standard A112.19.3M.

(T) Drain typically 330mm.

*Allow clearance around sink rim for clip attachment.

1.25>116

K-3336 Undertone™ Sink
111165-1M-AA (9631)

KOHLER®