

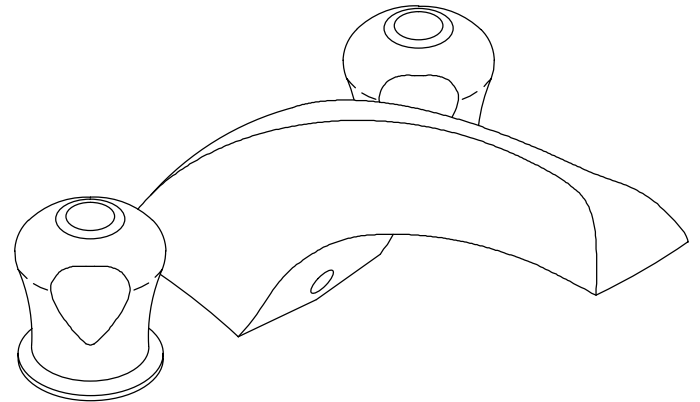
**FEATURES**

- Metal construction
- Deck-mount
- Cast brass spout
- Brass valve bodies
- 1/2" quarter-turn washerless ceramic disc valves
- High-flow valving
- 8-5/8" Roman non-diverter spout with slip-fit connection
- Sculptured acrylic handles

**CODES/STANDARDS APPLICABLE**

Specified model meets or exceeds the following:

- ASME/ANSI A112.18.1M
- CSA B125
- IAPMO/UPC



**COLORS/FINISHES**

- CP Polished Chrome
- PB Polished Brass
- Other Refer to Faucets Price Book for additional finishes

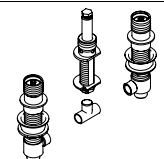
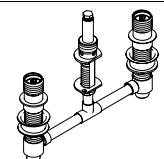
**SPECIFIED MODEL:**

**COMPLETE FAUCET:** Faucet trim and valve system included.

Model	Description	
K-15290	Coralais Deck-Mount High-Flow Bath Faucet	<input type="checkbox"/> CP

**SEPARATE TRIM AND VALVE SYSTEM:** For complete faucet, both faucet trim and valve system must be specified.

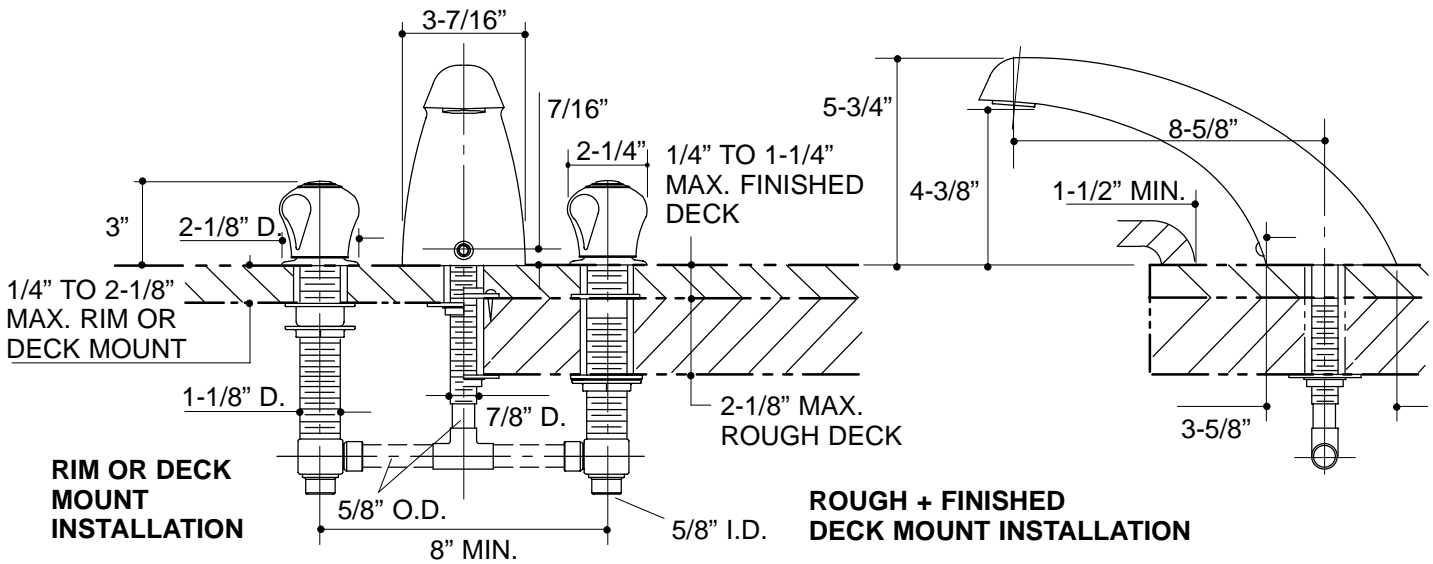
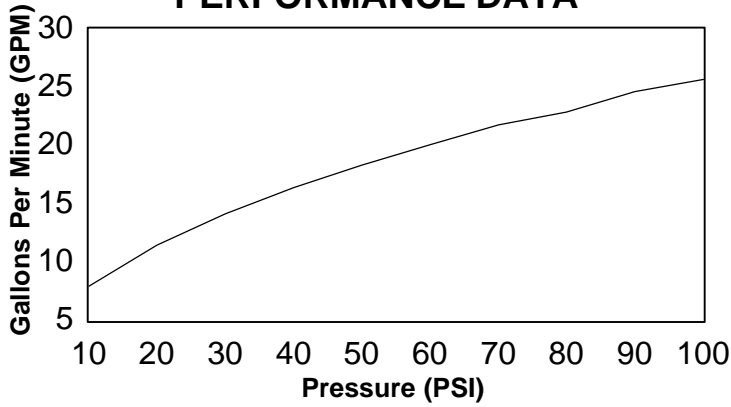
K-T15290	Coralais Deck-Mount High-Flow Bath Faucet Trim	<input type="checkbox"/> CP	<input type="checkbox"/> PB	<input type="checkbox"/> Other_____
----------	--	-----------------------------	-----------------------------	-------------------------------------

Required Accessory (For K-T15290 Only)			
K-15708-K	1/2" Ceramic Disc Valve System; Less Connections	<input type="checkbox"/> NA	
K-15708-KR	1/2" Ceramic Disc Valve System; With 8" Rigid Connections		<input type="checkbox"/> NA

**PRODUCT SPECIFICATION:**

Two-handle deck-mount high-flow bath faucet shall be of metal construction. Faucet shall feature brass valve bodies. Faucet shall feature 1/2" quarter-turn washerless ceramic disc valves, assuring positive handle stop positioning. Product shall include cast brass 8-5/8" Roman non-diverter spout with slip-fit connection, and sculptured acrylic handles. Complete faucet shall be Kohler Model K-15290-CP, **OR** separate trim and valve system shall be Kohler Model K-T15290-\_\_\_\_\_ with K-15708-\_\_\_\_\_-NA valve system.

**PERFORMANCE DATA**



**Roughing-In Notes**

Thin deck/rim installations require additional support under deck/rim. Use 1/2" exterior grade plywood.

**PRODUCT DIAGRAM**