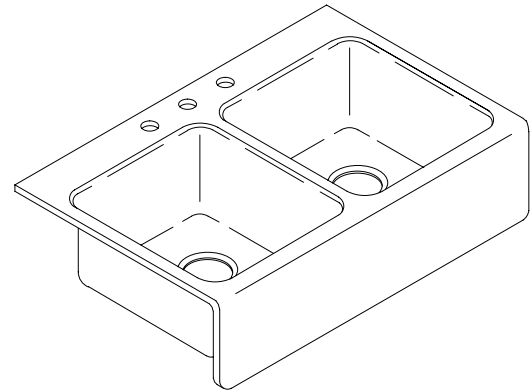


FEATURES

- 33" x 22"
- Cast iron
- Acid resistant enamel finish
- Undercounter mount (K-6534-4U)
- Tile-in mount (K-6534-3 & K-6534-4)
- Double (equal) compartment
- 4-hole (K-6534-4), 4-hole (oversized)(K-6534-4U), or 3-hole (K-6534-3) drilling
- With integral apron



CODES/STANDARDS APPLICABLE

Specified model meets or exceeds the following:

- ASME/ANSI A112.19.1M
- IAPMO/UPC
- State of Massachusetts

COLORS/FINISHES

- 0 White
- Other Refer to Fixtures Price Book for additional colors

Accessories:

- CP Polished Chrome
- NA None Applicable
- Other Refer to Price Book for additional finishes

SPECIFIED MODEL:

Model	Description	Colors/Finishes	
K-6534-3	3-hole sink (tile-in)	<input type="checkbox"/> 0 White	<input type="checkbox"/> Other_____
K-6534-4	4-hole sink (tile-in)	<input type="checkbox"/> 0 White	<input type="checkbox"/> Other_____
K-6534-4U	4-hole sink (undercounter)	<input type="checkbox"/> 0 White	<input type="checkbox"/> Other_____

Recommended Accessories			
K-9000	Trap	<input type="checkbox"/> CP	
Optional Accessories			
K-5984	Hardwood cutting board	<input type="checkbox"/> NA	
K-8801	Duostrainer sink strainer	<input type="checkbox"/> CP	<input type="checkbox"/> Other_____

PRODUCT SPECIFICATION:

The undercounter mount sink shall be 33" in length, and 22" in width. Sink shall be made of cast iron with acid resistant enamel finish. Sink shall be double (equal) compartment. Sink shall be 4-hole (K-6534-4), 4-hole (oversized) (K-6534-4U), or 3-hole (K-6534-3) drilled. Sink shall have integral apron. Sink shall be Kohler Model K-6534-_____-_____-_____.

HAWTHORNE

PRODUCT INFORMATION

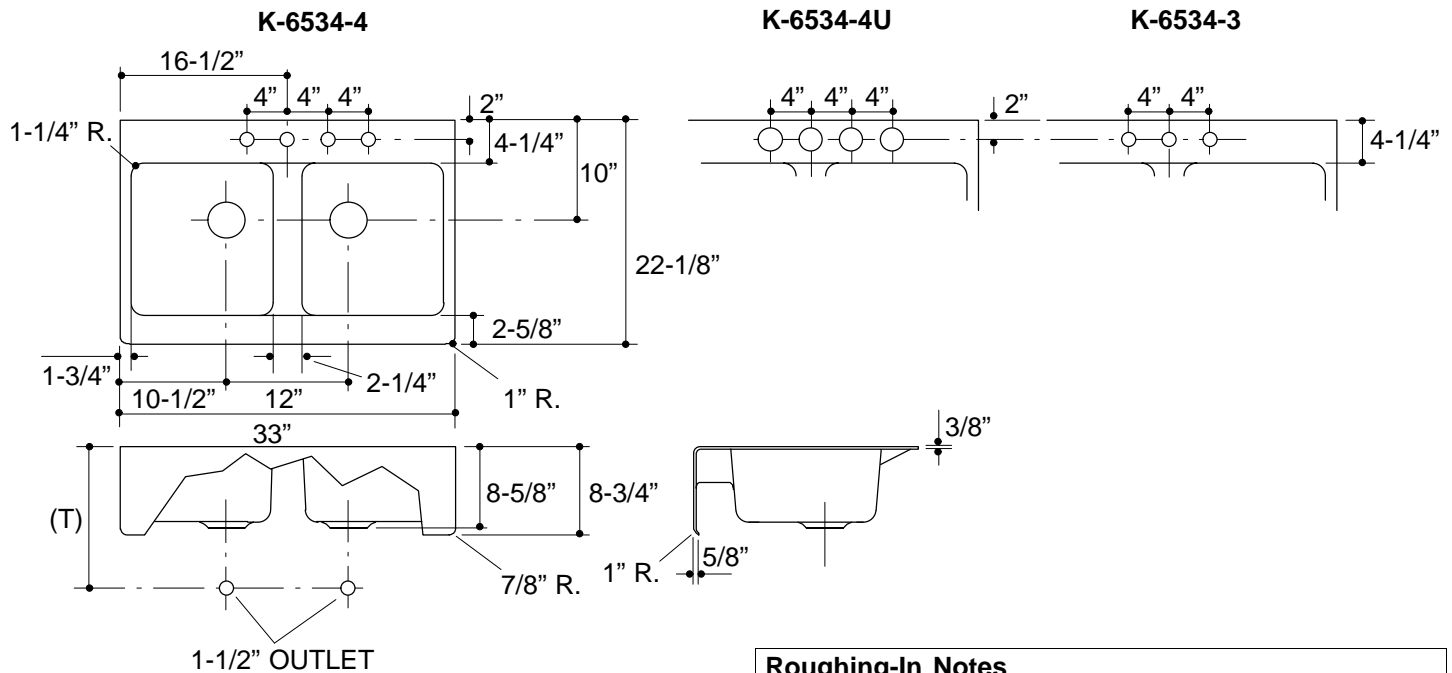
Fixture*:		basin area	water depth
Sinks		14" x 15"	7-1/2"
Outlet	3-5/8" D.		
Faucet holes, undercounter	2-3/8" D.		
Faucet holes, tile-in	1-3/8" D.		

* Approximate measurements for comparison only.

INSTALLATION NOTES

Due to the special nature of this installation, Kohler Co. recommends that an experienced cabinet maker use the actual sink to build the new cabinet or modify an existing cabinet.

For K-5984 cutting board, allow 3/4" from inside of bowl to countertop opening.



ROUGHING-IN NOTES

(T) Drain typically 14".

.85<116

PRODUCT DIAGRAM

K-6534 Hawthorne Sink

Page 2 of 2

111206-4-CA (-)

THE BOLD LOOK
OF **KOHLER**