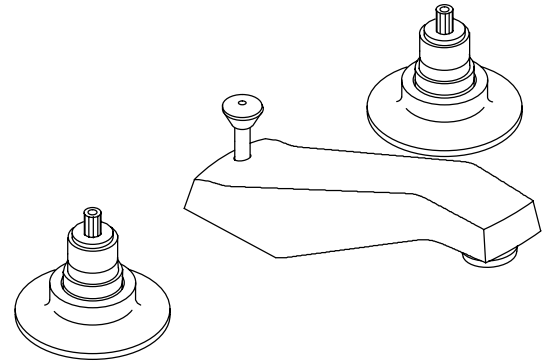


**LAVATORY BASE FAUCET
K-7471-K**

FEATURES

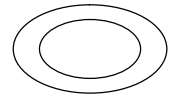
- Brass construction
- 8" rigid connections
- Brass valve bodies
- Quarter-turn washerless ceramic disc valves
- 5" spout
- Available with standard or vandal-resistant Water-Guard® aerator
- 2.0 gallons per minute
- Pop-up drain with lift rod and tailpiece
- Variety of handle style options



CODES/STANDARDS APPLICABLE

Specified model meets or exceeds the following:

- ASME/ANSI A112.18.1M
- Energy Policy Act of 1992
- IAPMO/UPC
- NSF 61

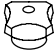






COLORS/FINISHES

- CP Polished Chrome
- PB Polished Brass

SPECIFIED MODEL: For complete faucet, both base faucet and handle choice must be specified.

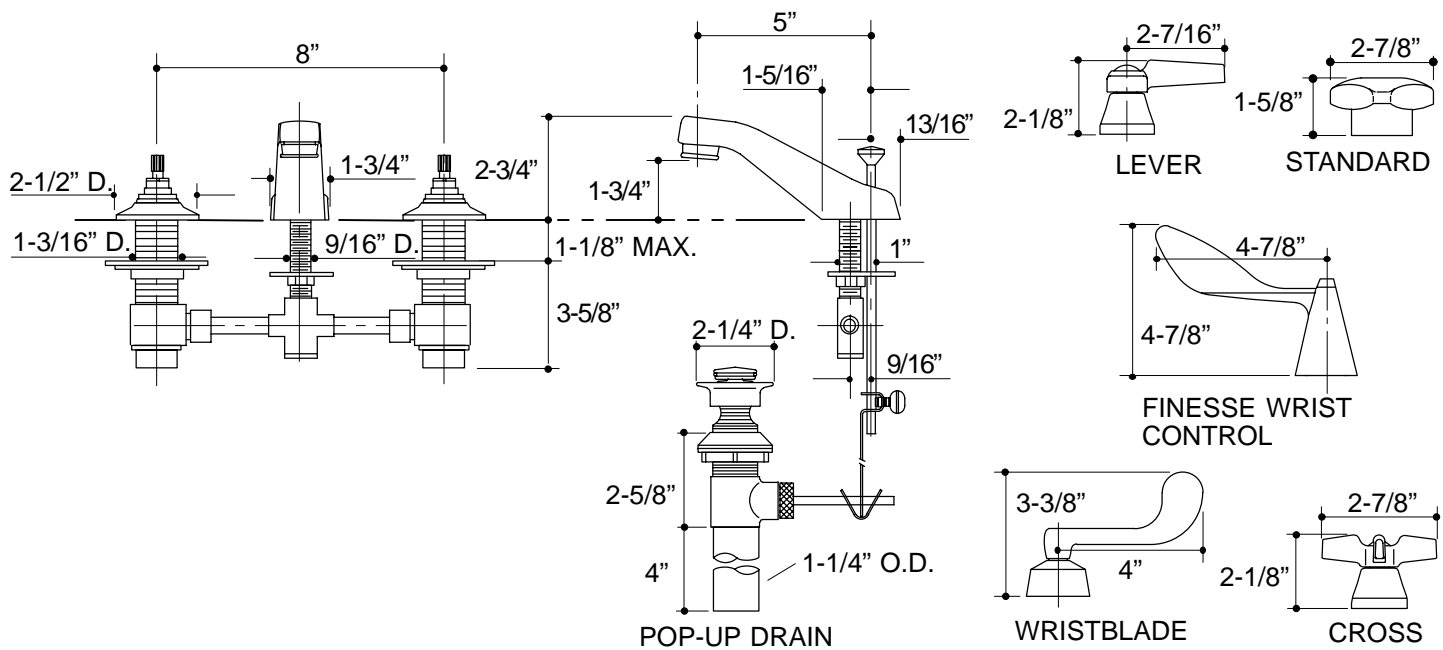
Model	Description		
K-7471-K	With Standard Aerator	<input type="checkbox"/> CP	<input type="checkbox"/> PB
K-7471-KE	With Vandal-Resistant Aerator	<input type="checkbox"/> CP	

Handle Options			 ADA	 ADA	 ADA	 ADA
K-16012-2	Triton Standard Handles	<input type="checkbox"/> CP				
K-16012-3	Triton Cross Handles		<input type="checkbox"/> CP			
K-16012-4	Triton Lever Handles			<input type="checkbox"/> CP		
K-16012-5	Triton Wristblade Lever Handles				<input type="checkbox"/> CP	
K-16022-5	Finesse Wrist Control Lever Handles					<input type="checkbox"/> CP <input type="checkbox"/> PB

PRODUCT SPECIFICATION:

Two-handle widespread lavatory base faucet shall be of brass construction. Faucet shall feature brass valve bodies. Faucet shall feature quarter-turn washerless ceramic disc valves, assuring positive handle stop positioning. Product shall include 8" rigid connections, 5" spout, and pop-up drain with lift rod and tailpiece. Optional feature shall be standard or vandal-resistant Water-Guard aerator. Base faucet shall be Kohler Model K-7471-____-____ and handles shall be Kohler Model K-____-____-____.

TRITON™ /FINESSE™



316

PRODUCT DIAGRAM