

KOHLER® SERVICE PARTS

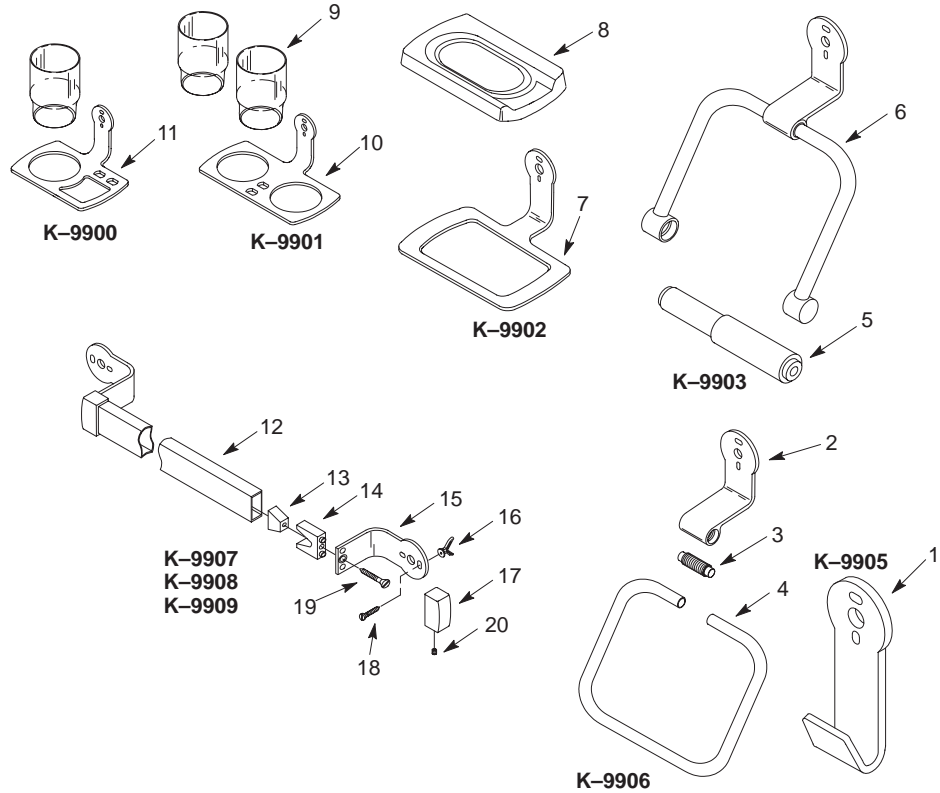
BATH ACCESSORIES

K-9900	PREMIERE	SINGLE TUMBLER	K-9905	PREMIERE	ROBE HOOK
K-9901	PREMIERE	DOUBLE TUMBLER	K-9906	PREMIERE	TOWEL RING
K-9902	PREMIERE	SOAP DISH	K-9907	PREMIERE	TOWEL BAR (18")
K-9903	PREMIERE	TISSUE HOLDER	K-9908	PREMIERE	TOWEL BAR (24")
			K-9909	PREMIERE	TOWEL BAR (30")

ORDER BY KIT NUMBER OR PART NUMBER, NOT ITEM NUMBER OR KIT LETTER.

Ordering Options

Item	Part No. or Kit
1	50635 ‡
2	50636 ‡
3	50638
4	50637 ‡
5	50708
6	500247 ‡
7	50649 ‡
8	50662
9	50650
10	50651 ‡
11	50652 ‡
12	A or B or C
13	50643
14	50644 ‡
15	50634
16	50608
17	D or E
18	52971
19	50646
20	52841



Kit Ordering Information

Kit	Kit Part No.	Kit Name	Kit Contents
A	50648 ‡	Towel Bar (18")	1 ea., item 12
B	50645 ‡	Towel Bar (24")	1 ea., item 12
C	50647 ‡	Towel Bar (30")	1 ea., item 12
D	50641 ‡	Towel Bar End Cap (Left)	1 ea., item 17
E	50642 ‡	Towel Bar End Cap (Right)	1 ea., item 17

KITS MAY INCLUDE EXTRA PARTS

NOTES:

LEGEND:

‡ Specify finish.