

## Ordering Information

Accessories/hardware:		
Drain	K-7161-AF	recommended
Apron	K-1223	optional
Vinyl tiling-in bead*	K-1179	optional

\*Use K-1179 vinyl bead when wall material contacts any top surface of bath.

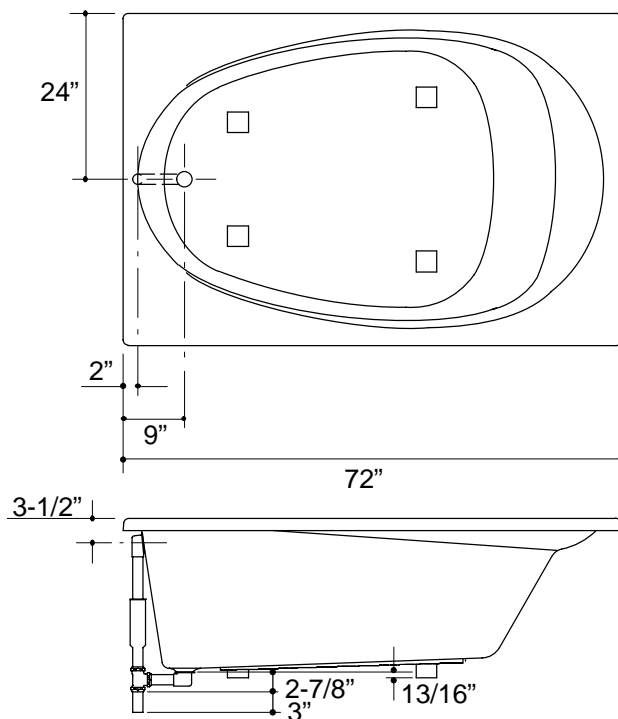
## Product Information

Fixture*:	basin area	top area	weight
Bathing well	47" x 37"	67" x 42"	92 lbs.
	water depth	capacity	
To overflow	16-7/8"	122 gal.	

\* Approximate measurements for comparison only.

## Installation Notes

Refer to installation instructions included with fixture before beginning installation.

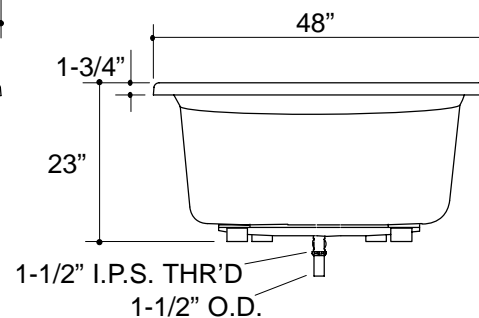


### Roughing-In Notes

Fixture dimensions are nominal and conform to tolerances in ANSI Standard Z124.1.

No change in measurements if connected with drain illustrated.

Cut-out	70-1/4" x 46-1/4"
---------	-------------------



1.15>132

**K-1222** Seadream™ Bath  
111324-BA (9501)

**KOHLER®**