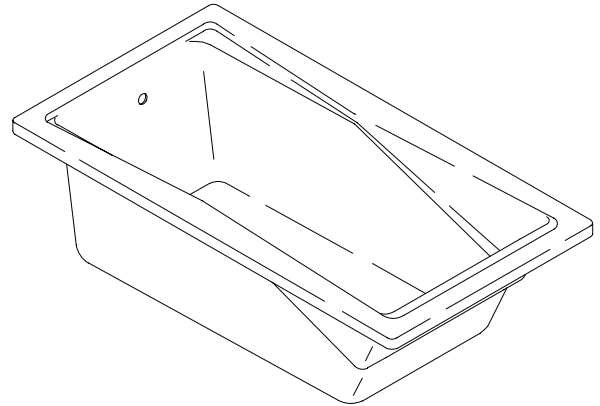


FEATURES

- 60" x 32" x 20"
- Acrylic
- Drop-in rim style or integral flange
- Optional K-1278 front apron



CODES/STANDARDS APPLICABLE

Specified model meets or exceeds the following:

- ANSI Z124.1
- IAPMO/UPC
- Canadian Standards Association (CSA)

COLORS/FINISHES

- 0 White
- Other Refer to Fixtures Price Book for additional colors

Accessories:

- CP Polished Chrome
- PB Polished Brass
- Other Refer to Faucets Price Book for additional finishes
- NA None Applicable

SPECIFIED MODEL:

Model	Description	Colors/Finishes	
K-1207	Drop-in rim style	<input type="checkbox"/> 0 White	<input type="checkbox"/> Other_____
K-1207-L	Left outlet, integral flange	<input type="checkbox"/> 0 White	<input type="checkbox"/> Other_____
K-1207-R	Right outlet, integral flange	<input type="checkbox"/> 0 White	<input type="checkbox"/> Other_____

Recommended Accessories				
K-7161-AF	Drain	<input type="checkbox"/> CP	<input type="checkbox"/> PB	<input type="checkbox"/> Other_____

Optional Accessories			
K-1278	Apron (removable)	<input type="checkbox"/> 0 White	<input type="checkbox"/> Other_____
K-1177	Vinyl tiling-in bead (use when wall material contacts any top surface of bath)	<input type="checkbox"/> NA	

PRODUCT SPECIFICATION:

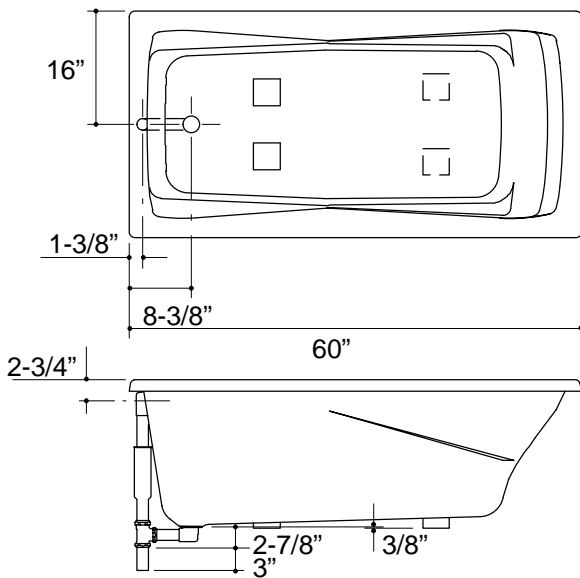
The bath shall be 60" in length, 32" in width, and 20" in height. Bath shall be made of acrylic. Bath shall have optional K-1278 front apron. Bath shall be either drop-in rim style or integral flange. Bath shall be Kohler Model K-1207-_____.

HOURGLASS™

PRODUCT INFORMATION

Fixture*:	basin area	top area	weight
Bathing well	44" x 22"	55" x 25"	55 lbs.
	water depth	capacity	
To overflow	15-1/8"	68 gal.	

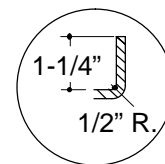
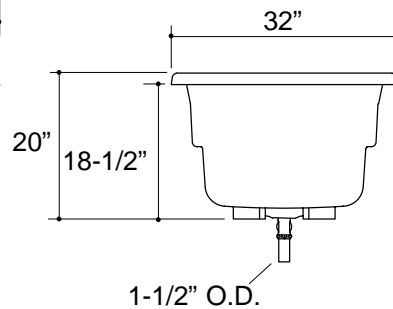
* Approximate measurements for comparison only.



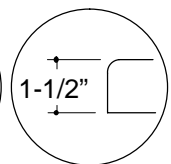
Roughing-In Notes

No change in measurements if connected with drain illustrated.

Cut-out K-1207 drop-in rim style, 58-1/2" x 30-1/2"



**INTEGRAL
FLANGE
DETAIL**



**DROP-IN
RIM
DETAIL**

1.25>132

PRODUCT DIAGRAM