

For:ko41275

Printed on:Mon, Jun 28, 1999 11:19:10

Document:111347_1_da__

Last saved on:Mon, Jun 28, 1999 10:41:44

Ordering Information

Applicable product:		
Left outlet	K-1585-AB	shown
Right outlet	K-1586-AB	not shown
Accessories/hardware:		
Drain	K-7160-TF	recommended
Focal bath door or	K-701025	recommended
Focal bath door or	K-701026	
Forum™ bath door or	K-703012	
Helios™ bath door or	K-704010	
Helios™ bath screen	K-704012	

Product Information

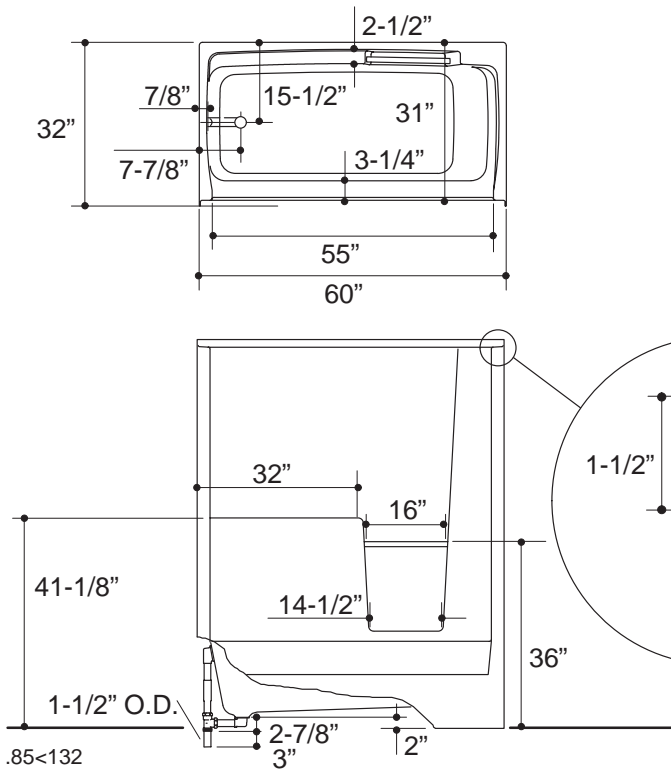
Fixture*:	basin area	top area	weight
Bathing well	46" x 20"	55" x 23"	129 lbs.
	water depth	capacity	
To overflow	10-3/4"	43 gals.	
Configuration			1-piece
Drain Outlet			2-1/4" D.
* Approximate measurements for comparison only			

Installation Notes

Refer to installation instructions included with fixture before beginning installation.

Fixture not drilled for supply fittings.

Shimming may be required to level fixture.



Roughing-In Notes
Fixture conforms to ANSI Standard Z124.2. All dimensions are nominal.
No change in measurements if connected with drain illustrated.
Stud opening tolerance (+ 1/4" - 0"). When fire rated wall is specified, dimensions are to the inside of the wall board. Some shimming between stud frame and fixture may be required.

