

**For:ko41275**

**Printed on:Mon, Jun 28, 1999 11:19:15**

**Document:111348\_1\_fa\_\_**

**Last saved on:Mon, Jun 28, 1999 10:41:45**

## Ordering Information

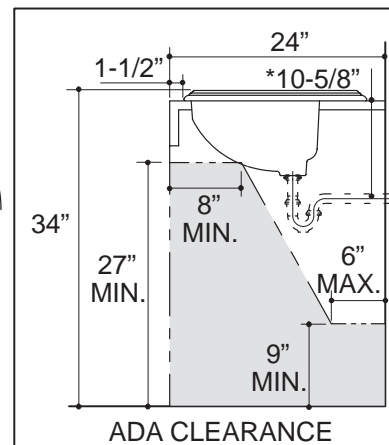
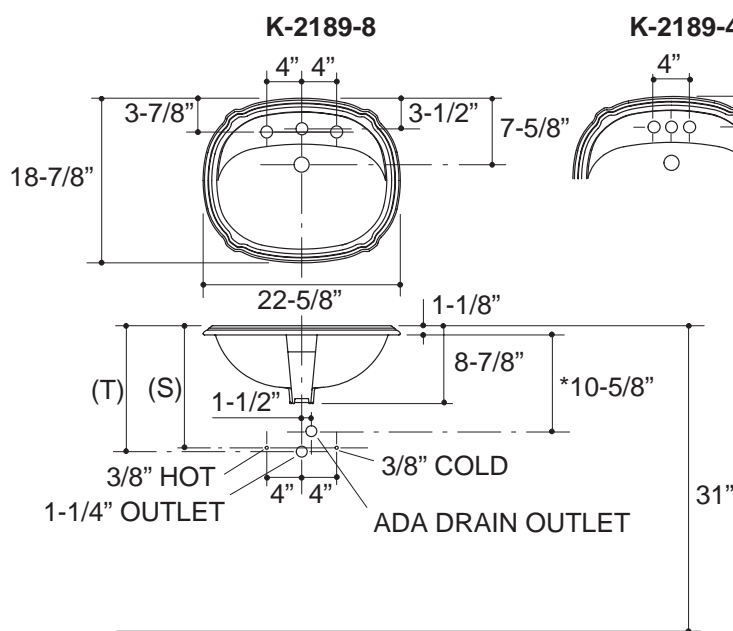
Applicable product:		
8" centers	K-2189-8	shown
4" centers	K-2189-4	not shown
Single-hole	K-2189-1	not shown
Accessories/hardware:		
Trap	K-8998	recommended

## Product Information

ADA compliant.			
Fixture*:		basin area	water depth
Lavatory		20" x 12"	5"
Outlet	1-3/4" D.		
* Approximate measurements for comparison only.			
Holes	<b>K-2189-4</b>	<b>K-2189-8</b>	<b>K-2189-1</b>
Spout	1-3/16" D.	1-3/16" D.	1-3/8" D.
Faucet	1-3/16" D.	1-3/8" D.	
Included Components:			
Adhesive sealant			63034
Cutout template			111349-7

## Installation Notes

Refer to installation instructions included with fixture before beginning installation.



## Roughing-In Notes

Fixture dimensions are nominal and conform to tolerances in ASME Standard A112.19.2M.

\*Based on K-8998, with 1" tailpiece exposed.

(T) Pop-up drain 14-7/16".

(S) 14" (Based on 12" riser which may require cutting).