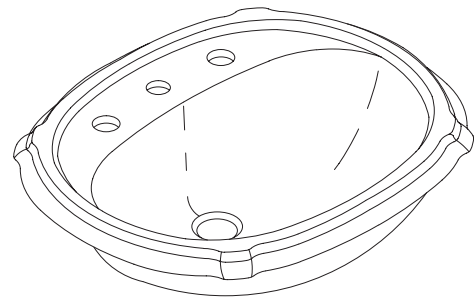


FEATURES

- 22-5/8" x 18-7/8"
- Vitreous china
- Self-rimming
- 4" centers (K-2189-4), 8" centers (K-2189-8), or single-hole (K-2189-1) drilling
- With overflow
- ADA compliant
- With sealant



CODES/STANDARDS APPLICABLE

Specified model meets or exceeds the following:

- ADA
- ASME/ANSI A112.19.2M
- ICC/ANSI A117.1
- IAPMO/UPC
- Canadian Standards Association (CSA)
- State of Massachusetts

COLORS/FINISHES

- 0 White
- Other Refer to Fixtures Price Book for additional colors

Accessories:

- CP Polished Chrome
- Other Refer to Faucets Price Book for additional finishes

SPECIFIED MODEL:

Model	Description	Colors/Finishes	
K-2189-4	4" centers lavatory	<input type="checkbox"/> 0 White	<input type="checkbox"/> Other_____
K-2189-8	8" centers lavatory	<input type="checkbox"/> 0 White	<input type="checkbox"/> Other_____
K-2189-1	Single-hole lavatory	<input type="checkbox"/> 0 White	<input type="checkbox"/> Other_____

Recommended Accessories			
K-8998	Trap	<input type="checkbox"/> CP	<input type="checkbox"/> Other_____

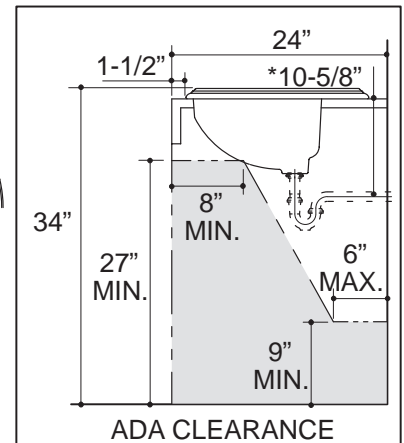
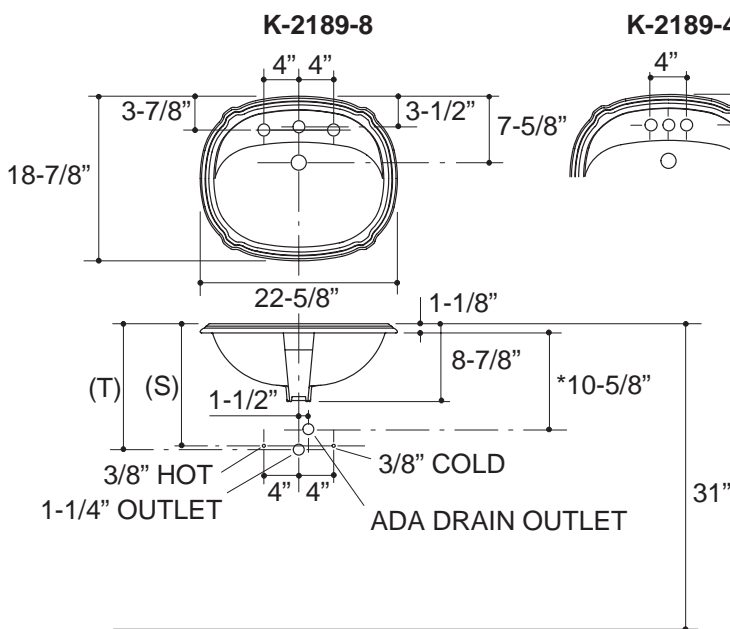
PRODUCT SPECIFICATION:

The self-rimming lavatory shall be 22-5/8" in length, and 18-7/8" in width. Lavatory shall be made of vitreous china. Lavatory shall have 4" centers (K-2189-4), 8" centers (K-2189-8), or single-hole (K-2189-1) drilling. Lavatory shall have overflow. Lavatory shall be ADA compliant. Lavatory shall include sealant. Lavatory shall be Kohler Model K-2189-_____-_____.

PORTRAIT™

PRODUCT INFORMATION

ADA compliant.			
Fixture*:		basin area	water depth
Lavatory		20" x 12"	5"
Outlet	1-3/4" D.		
* Approximate measurements for comparison only.			
Holes	K-2189-4	K-2189-8	K-2189-1
Spout	1-3/16" D.	1-3/16" D.	1-3/8" D.
Faucet	1-3/16" D.	1-3/8" D.	
Included Components:			
Adhesive sealant			63034
Cutout template			111349-7



Roughing-In Notes

*Based on K-8998, with 1" tailpiece exposed.

(T) Pop-up drain 14-7/16".

(S) 14" (Based on 12" riser which may require cutting).

PRODUCT DIAGRAM