

Ordering Information

Applicable product:		
Five-hole sink	K-5982-5	shown
Four-hole sink	K-5982-4	not shown
Accessories/hardware:		
Hardwood cutting board	K-5984	optional
Bottom basin rack	K-6012	optional
Wire rinse basket	K-6519	optional

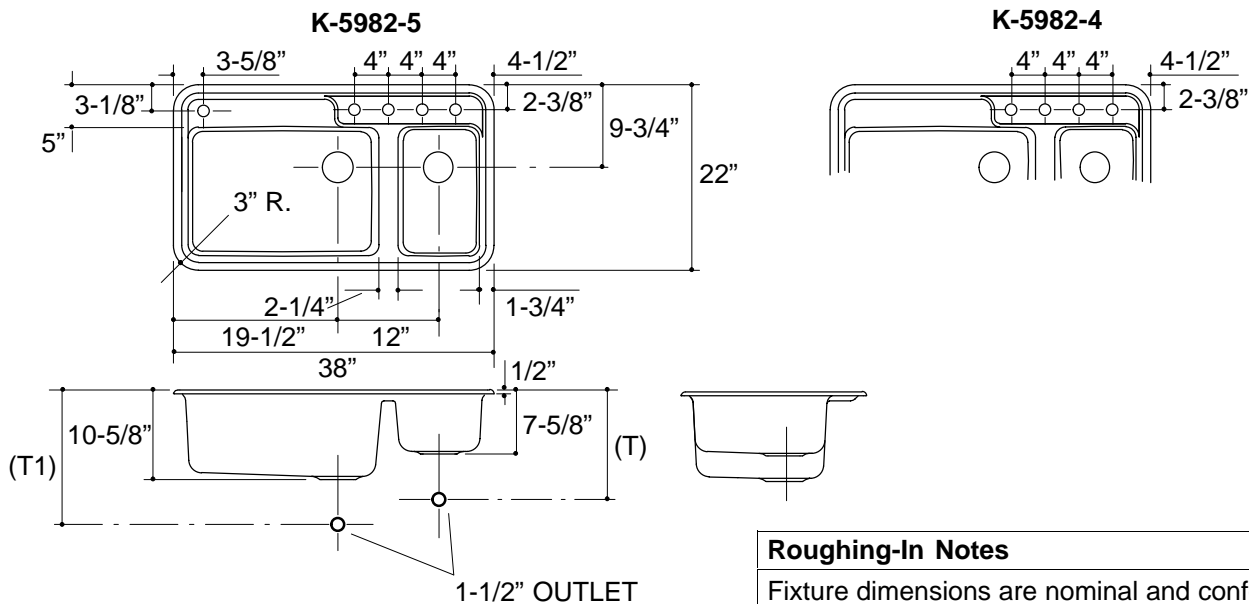
Product Information

Fixture*:		basin area	water depth
Sink, small		10" x 15"	6"
Sink, large		23" x 15"	9"
Outlets	3-5/8" D.		
Faucet holes	1-3/8" D.		

* Approximate measurements for comparison only.

Installation Notes

Refer to installation instructions included with fixture before beginning installation.



Roughing-In Notes

Fixture dimensions are nominal and conform to tolerances in ASME/ANSI Standard A112.19.1M.

(T) Drain typically 14".

(T1) Drain typically 16".

Cutout 36-1/2" x 20-1/2" with 2" radius corners.

.7<116

K-5982 Galleon™ Sink
111350-1-BA (-)

KOHLER®