

Ordering Information

Accessories/hardware:		
Drain	K-7161-AF	recommended
Apron	K-1283	optional

Product Information

Fixture*:	basin area	top area	weight
Bathing well	1219 x 660mm	1676 x 940mm	29 Kg.
	water depth	capacity	
To overflow	362mm	326 litres	

* Approximate measurements for comparison only.

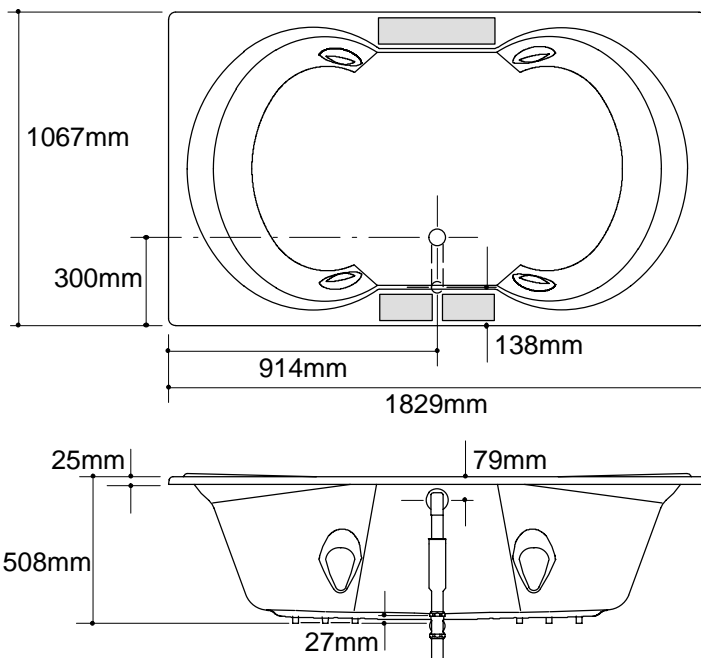
Installation Notes

Refer to installation instructions included with fixture before beginning installation.

If installing a rim-mount faucet, make sure there is no interference with drain overflow and circulating system before drilling any holes. Consult local and national codes for minimum air gap requirements if installing a spout on the faucet deck.

The apron must be installed before the finish floor and wall materials are installed.

NOTICE: The Overture bath is designed for bathing only. It is not designed to be used in a three wall alcove with an overhead shower.



1.25>132

Roughing-In Notes

Fixture conforms to ANSI Standard Z124.1. All dimensions are nominal.

No change in measurements if connected with drain illustrated.

Cut-out	1791 x 1029mm
Faucet area	recommended

1-1/2" O.D.

