

## Ordering Information

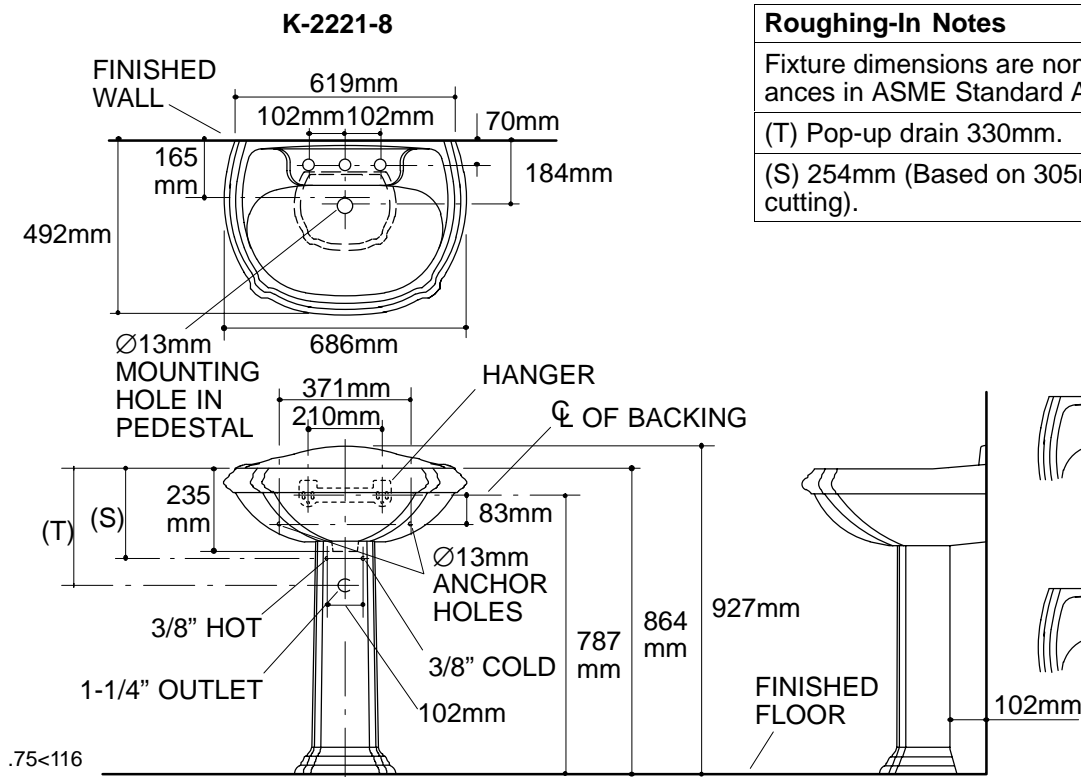
Applicable product:		
203mm centers lavatory	K-2221-8	shown
102mm centers lavatory	K-2221-4	not shown
Single-hole lavatory	K-2221-1	not shown
Accessories/hardware:		
Lavatory supplies, 3/8" pr.	K-7605-P	recommended

## Product Information

Fixture*:		basin area	water depth
Lavatory		559 x 305mm	184mm
Outlet	Ø44mm		
* Approximate measurements for comparison only.			

Holes	<b>K-2221-4</b>	<b>K-2221-8</b>	<b>K-2221-1</b>
Spout	Ø30mm	Ø30mm	Ø30mm
Faucet	Ø30mm	Ø35mm	

Included Components:	
Lavatory basin, 203mm centers	K-2222-8
Lavatory basin, 102mm centers	K-2222-4
Lavatory basin, single-hole	K-2222-1
Pedestal	K-2223
Hanger	64839
Rubber pads	63069



<b>Roughing-In Notes</b>
Fixture dimensions are nominal and conform to tolerances in ASME Standard A112.19.2M.
(T) Pop-up drain 330mm.
(S) 254mm (Based on 305mm riser which may require cutting).

