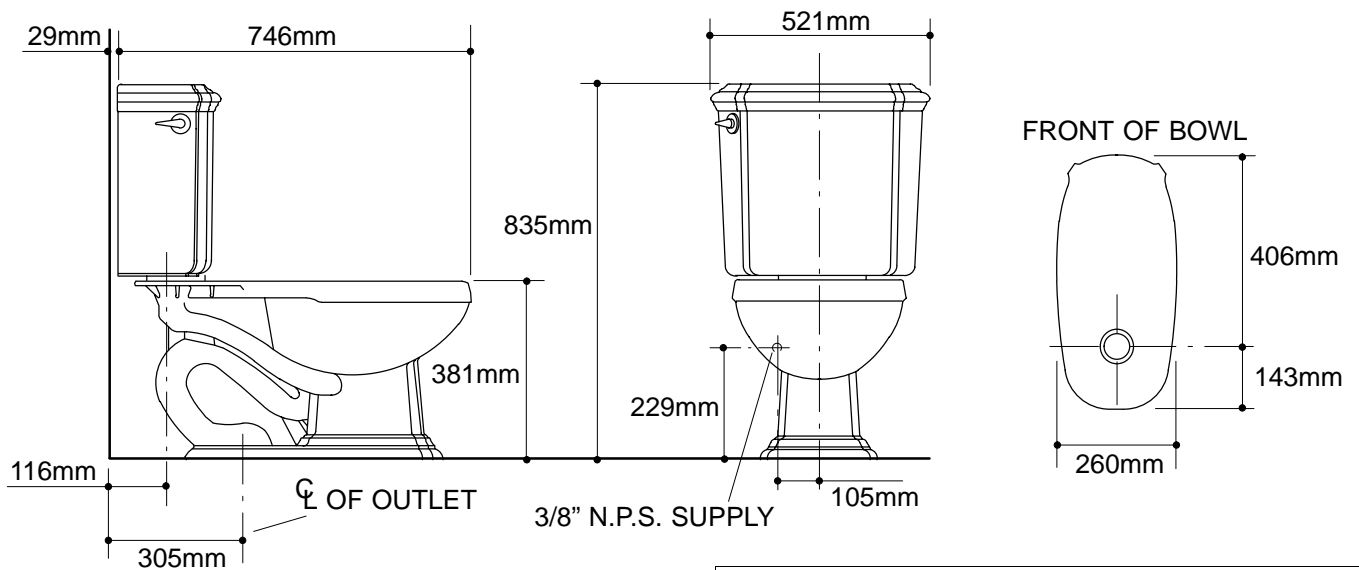


Ordering Information

Applicable product:		
Toilet with standard tank	K-3490	shown
Toilet with insuliner tank	K-3490-U	not shown
Accessories/hardware:		
3/8" supply	K-7637	recommended
Floor bolts (pr.)	21401	recommended
Seat, Lustra	K-4652	recommended
Seat, Deluxe Triko	K-4752	recommended
Seat, Vintage	K-4745	recommended
Trip lever	K-9405	recommended
Trip lever, Antique	K-113	recommended
Trip lever, Antique	K-114	recommended
Trip lever, IV George Brass	K-6822	recommended

Product Information

Fixture:	
Configuration	2-piece, elongated
Litres per flush	6 litres
Passageway	44mm
Water depth from rim	170mm
Seat post hole centers	140mm
Included Components:	
Bowl	K-4217
Tank	K-4590
Tank cover	80625
Bolt cap accessory pack	52048
Tank accessory pack	73062



Roughing-In Notes

Fixture dimensions are nominal and conform to tolerances in ASME Standard A112.19.2M.