

Ordering Information

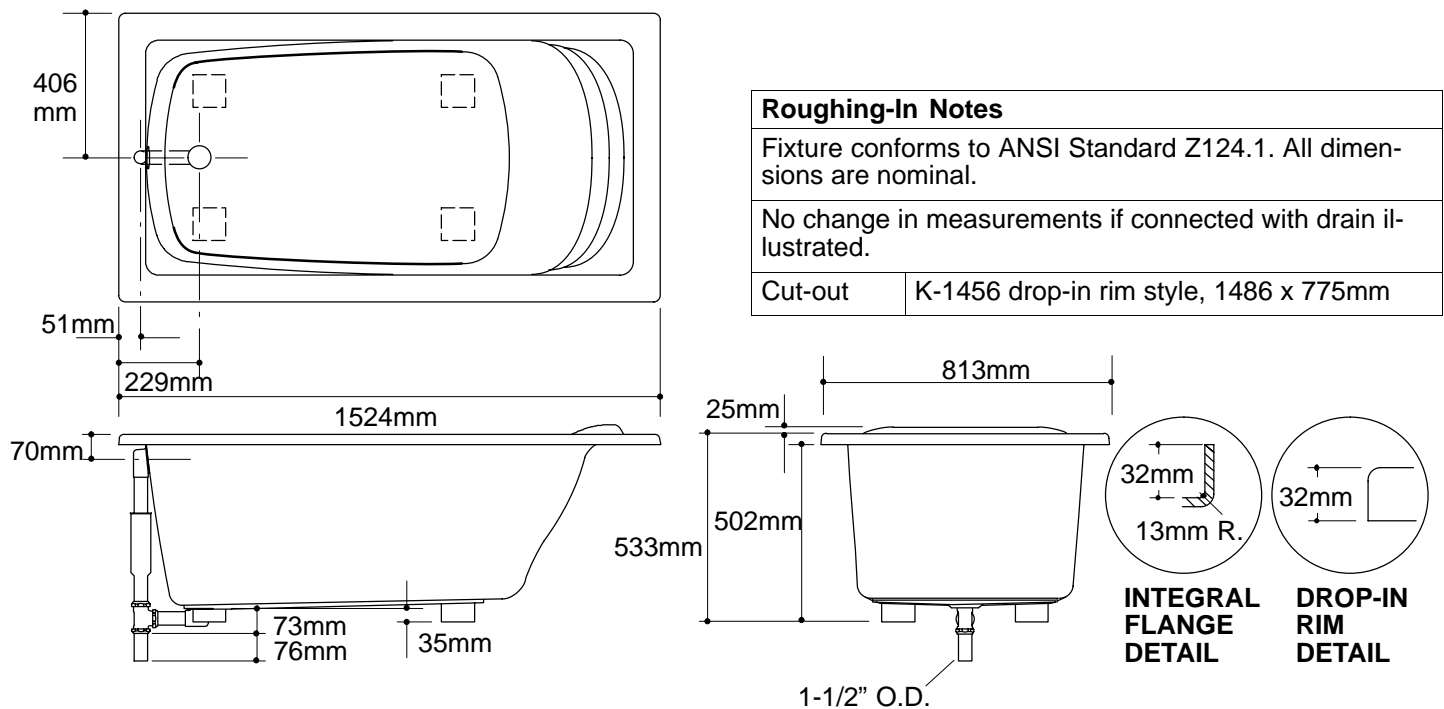
Applicable product:		
Drop-in rim style	K-1456	shown
Left outlet, integral flange	K-1456-L	not shown
Right outlet, integral flange	K-1456-R	not shown
Accessories/hardware:		
Drain	K-7161-AF	recommended
Apron	K-1444	optional
Vinyl tiling-in bead*	K-1177	optional
*Use K-1177 vinyl bead when wall material contacts any top surface of the drop-in rim style bath.		

Product Information

Fixture*:	basin area	top area	weight
Bathing well	1016 x 610mm	1245 x 660mm	25 Kg.
	water depth	capacity	
To overflow	400mm	238 litres	
* Approximate measurements for comparison only.			

Installation Notes

Refer to installation instructions included with fixture before beginning installation.



Roughing-In Notes	
Fixture conforms to ANSI Standard Z124.1. All dimensions are nominal.	
No change in measurements if connected with drain illustrated.	
Cut-out	K-1456 drop-in rim style, 1486 x 775mm