

**Ordering Information**

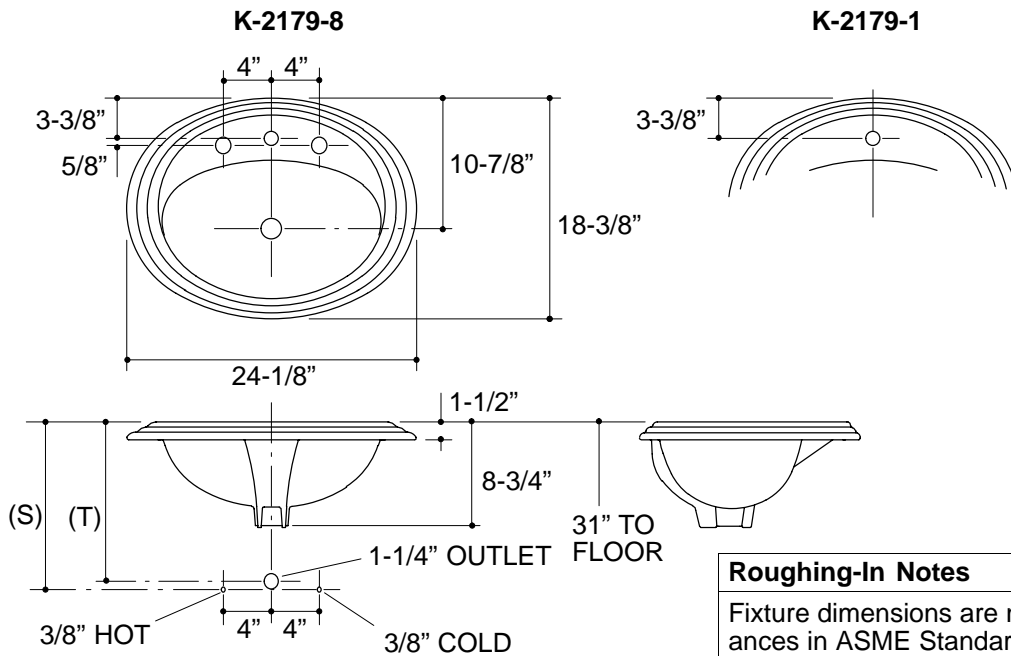
Applicable product:		
8" centers lavatory	K-2179-8	shown
Single hole lavatory	K-2179-1	not shown

**Product Information**

Fixture*:		basin area	water depth
Lavatory		18" x 12"	5"
Outlet	1-3/4" D.		
* Approximate measurements for comparison only.			

Holes	<b>K-2179-8</b>	<b>K-2179-1</b>	
Spout	1-3/16" D.	1-3/8" D.	
Faucet	1-3/8" D.		

Included Components:	
Adhesive sealant	63034
Adjustable linkage	40372
Cutout template	111531



<b>Roughing-In Notes</b>
Fixture dimensions are nominal and conform to tolerances in ASME Standard A112.19.2M.
(T) Pop-up drain 13-5/16".
(S) 14" (Based on 12" riser which may require cutting).