

Ordering Information

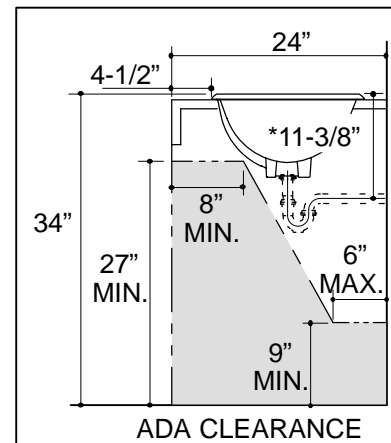
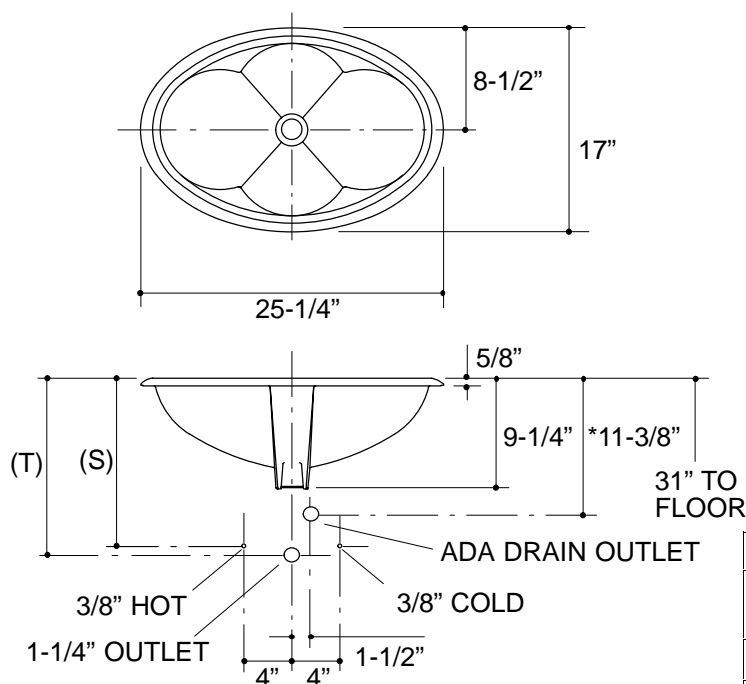
Applicable product:		
Lavatory	K-2199	shown
Accessories/hardware:		
Trap	K-8998	recommended

Product Information

ADA compliant.			
Fixture*:		basin area	water depth
Lavatory		22" x 14"	5-3/8"
Outlet	1-3/4" D.		
* Approximate measurements for comparison only.			
Included Components:			
Adhesive sealant		63034	
Adjustable linkage		40372	
Cutout template		111539	

Installation Notes

Refer to installation instructions included with fixture before beginning installation.



Roughing-In Notes

Fixture dimensions are nominal and conform to tolerances in ASME Standard A112.19.2M.

*Based on K-8998, with 1" tailpiece exposed.

(T) Pop-up drain 14-7/8".

(S) 14" (Based on 12" riser which may require cutting).